



DBW-130/200H

SANITARY ICE & WATER DISPENSER



DBW-130/200H
05/08/26
Item # 13131W

Item #: _____
Project: _____
Qty: _____
AIA#: _____

Features

- ▶ Ice and water dispensing area are ADA compliant
- ▶ Push-button single auger agitator

DBW-130H

- Accommodates KM-322, KM-522, KM-622 cubers for 489 to 673 lbs. of ice per day (*ice machines sold separately*)
- Built-in 130 lbs. capacity* insulated polyethylene-lined ice storage bin
- Push-button single auger agitator dispenses ice at 20 lbs. per minute

DBW-200H

- Accommodates KM-322, KM-522, KM-622, KM-330MAK, KM-530MAK, KM-730MAK, KM-830MAK2 cubers for 431 to 777 lbs. of ice per day (*ice machines sold separately*)
- Built-in 200 lbs. capacity* insulated polyethylene-lined ice storage bin
- Push-button single auger agitator dispenses ice at 13 lbs. per minute

Top kit may be required. See bin matrix in catalog.

Warranty:

3 Year Parts & Labor on entire machine. Valid in United States, Canada, Puerto Rico and U.S. Territories. Contact factory for warranty in other countries.

* Capacity based on volume x 30 lb/ft³ average density of ice.

ADA Compliant 



DBW-130H

Hotel/Motel Ice & Water Dispenser
Shown with a KM-622MAK
(*ice machine sold separately*)



DBW-200H

Hotel/Motel Ice & Water Dispenser
Shown with a KM-730MAK
(*ice machine sold separately*)

W x D x H

DBW-130H

22" x 30" x 53"*

DBW-200H

30" x 30" x 53"*

*with 6" legs

Shipping Dimensions

(DBW-130H) 30^{1/2}" x 24" x 52"
(DBW-200H) 33" x 32^{1/4}" x 52"



Model	Application Ice Storage Capacity	Measured Capacity Volume	Dispensing gear motor	Voltage	Amperage	Net / Ship Weight (lbs.)
DBW-130H	130 lbs.	3.7 ft ³	60W	115V/60/1	1.4	178 / 195
DBW-200H	200 lbs.	5.72 ft ³	60W	115V/60/1	1.4	187 / 220

Power cord not included. Must be hard-wired at site.

Operating Limits

- Ambient Temp Range 45 - 100°F
- Voltage Range 104 - 132V
- If GFCI is required, a GFCI breaker MUST be used in lieu of GFCI receptacle

Service

- Allow 6" (15 cm) clearance at rear and sides for ease of maintenance and/or service. More space is needed on left side for DB-130H (right side for DB-200H) of the dispensing bin to service the drive system.

Plumbing

- Icemaker Water Supply Line: Minimum 1/2" Nominal ID Copper Water Tubing or Equivalent
- Icemaker Drain Line: Minimum 3/4" Nominal ID Hard Pipe or Equivalent
- 3/4" MPT drain

Vending

- Pushbutton - Standard

• Drain Line: M

Hoshizaki reserves the right to change specifications without notice.



DBW-130/200H

SANITARY ICE & WATER DISPENSER

DBW-130/200H
05/08/26
Item # 13131W

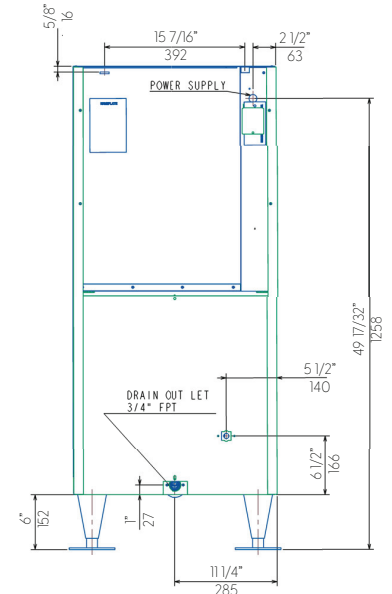
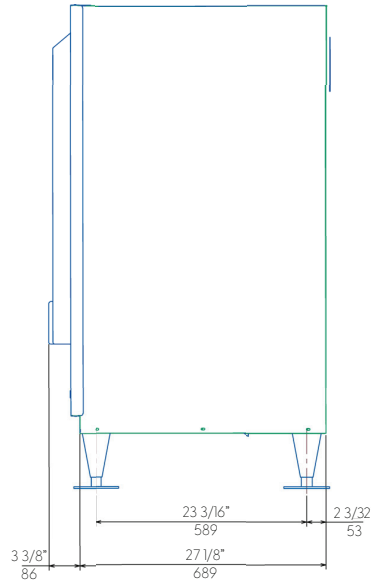
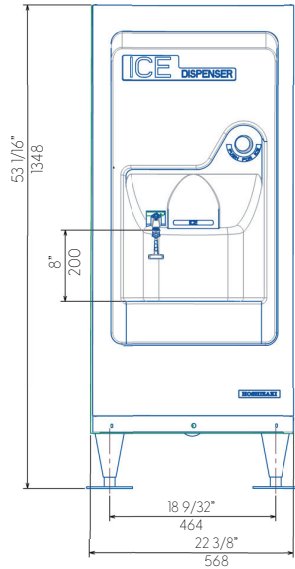
FRONT VIEW

SIDE VIEW

REAR VIEW

inch
[mm]

DBW-130H



DBW-200H

