



KM-830MAK2

MODULAR CRESCENT CUBER

KM|EDGE™



KM-830MAK2
04/23/26
Item # 13232K

Item #: _____
Project: _____
Qty: _____
AIA#: _____

Features

- ▶ Individual crescent cube
- ▶ Stainless steel evaporator
- ▶ Environmentally friendly R290 hydrocarbon refrigerant

- Up to 777 lbs. of ice production per 24 hours
- Durable stainless steel exterior
- CycleSaver™ design 
- EverCheck™ alert system 
- Removable air filters

Available on Bins:

B-250SF B-700SF B-900SF B-1300SS B-1650SS*
BD-500SF B-800SF B-1150SS B-1500SS*

*Top kit may be required. See Bin Spec Sheets. *Two unit application only.*

Warranty:

3 Year Parts & Labor on entire machine. 5 Year Parts & Labor on Evaporator. 5 Year Parts on Compressor; air-cooled condenser coil. Valid in United States, Canada, Puerto Rico and U.S. Territories. Contact factory for warranty in other countries.

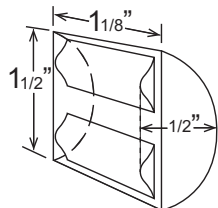
Shipping: (LxWxH) 33¹/₂" x 33¹/₄" x 28" Volume: 18.05ft³

W x D x H
30" x 24⁵/₈" x 28"

KM-830MAK2
Air-Cooled
Shown on optional
Lancer 30" dispenser



KMEdge™ Cube Dimensions†



† approximate size in inches, image not to scale



Condenser	Model	ICE PRODUCTION		WATER USAGE		ELECTRICAL					Heat Rejection BTU/hr.	Refrigerant Charge Amount	Net / Ship Weight (lbs.)
		Air / Water Temp Lbs. per 24 hours 70° / 50°F 90° / 70°F		Potable Gal. per 100 lbs. 90° / 70°F	Condenser Gal. per 100 lbs. 90° / 70°F	kWh Used per 100 lbs. 90° / 70°F	Min. Circuit/Max. Fuse Size	Amperage	Voltage	Circuit Wires (including ground)			
Air	KM-830MAK2	777	635	30.0	N/A	4.4	20A	6.4A	208-230V/60/1	3	10,900	10.9 oz.	218 / 240

Operating Limits

- Ambient Temp Range 45 - 100°F
- Water Temp Range 45 - 90°F
- Water Pressure 10 - 113 PSIG
- Voltage Range 187 - 253V
- If GFCI is required, a GFCI breaker MUST be used in lieu of GFCI receptacle

Service

- Panels easily removed and all components accessible for service.
- Allow 6" (15cm) clearance at rear, sides, and top for proper air circulation and ease of maintenance/service.

Plumbing

- Icemaker Water Supply Line: Min. 1/4" Nominal ID Copper Water Tubing or Equivalent
- Icemaker Drain Line: Min. 3/4" Nominal ID Hard Pipe or Equivalent
- Water-Cooled Model (Lines Must Be Independent of Icemaker)
- Condenser Water Supply Line: Minimum 1/4" Nominal ID Copper Water Tubing or Equivalent
- Condenser Drain/Return Line: Minimum 1/4" Nominal ID Hard Pipe (open drain system) or Copper Water Tubing (closed loop system) or Equivalent

Accessories

- HS-5767, BioSure Clean Ice Ozone System
- HS-2148, Top Kit for DB/DM-200
- H9320-52, Twin Water Filter Kit

Hoshizaki reserves the right to change specifications without notice.

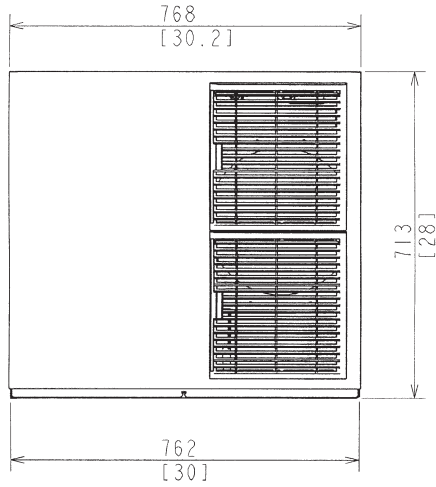


KM-830MAK2

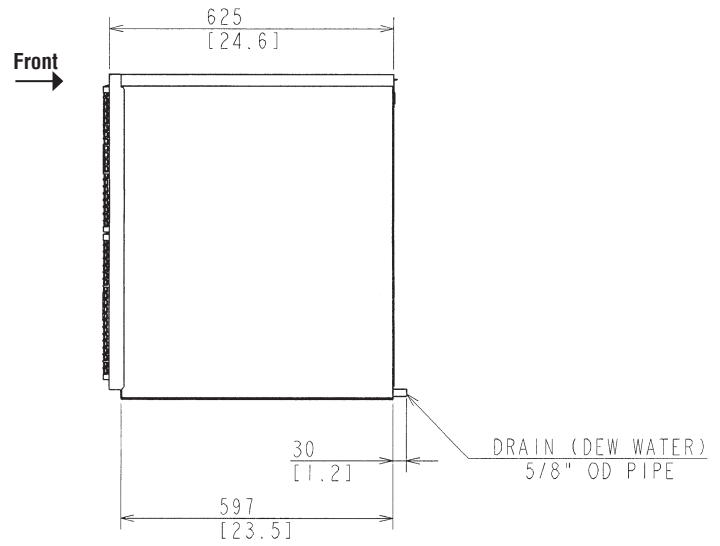
MODULAR CRESCENT CUBER

KM-830MAK2
04/23/26
Item # 13232K

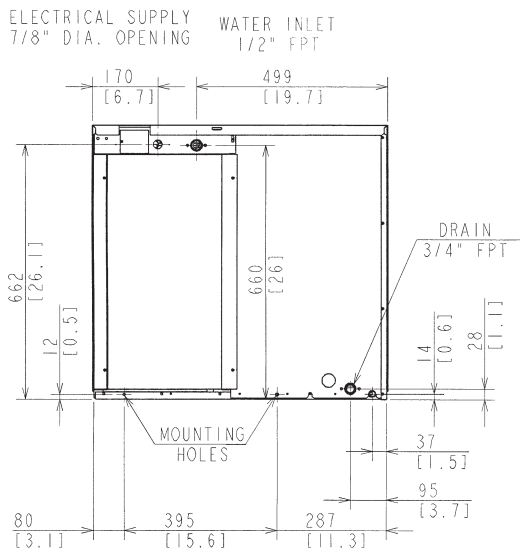
FRONT VIEW



SIDE VIEW



REAR VIEW



BOTTOM VIEW

