



# ULR46B-L

## Undercounter 46" Side Mount Refrigerator with One Door



ULR46B-L  
04/30/26  
Item # 13686-L

### W x D x H

46" x 33.25" x 33.875"\*  
\*with 4" casters



Item #: \_\_\_\_\_

Project: \_\_\_\_\_

Qty: \_\_\_\_\_

AIA#: \_\_\_\_\_

## Features

- ▶ Front breathing air flow design allows for 1" of rear wall clearance
- ▶ Stainless steel exterior front, sides, and top with stainless steel interior sides, back, and floor
- ▶ Engineered to maintain NSF-7 temperatures in 100°F ambient
  - Environmentally friendly R290 hydrocarbon refrigerant
  - Cabinet and doors are insulated with 2" CFC free, foamed in place polyurethane
  - Exclusive "stepped" door design to protect door gasket
  - Spring assisted self-closing doors with stay open feature
  - Extruded aluminum flush mount door handle
  - Field reversible doors with magnetic snap-in gaskets
  - Magnetic door gaskets are easily removable for cleaning
  - Hot gas condensate removal
  - E-coated evaporator coil
  - Two epoxy coated shelves per section is standard
  - Anodized aluminum shelf supports adjustable in 1/2" increments
  - Standard with 4" casters (three with brakes)
  - 10 ft. cord and plug



### Dimensions / Capacity

	One-Section ULR46B-L
Interior Storage Capacity (CF) (AHAM)	11.78 ft <sup>3</sup>
Overall Width x Depth (including 1" bumper)	46" x 33.25"
Height (including 4" casters)	33.875"
Door Opening Width x Height	25.5" x 23"
Depth with Door Open at 90° (including 1" bumper)	60.5"
Adjustable Shelves	2
Shelf Dimensions (W x D)	28.75" x 25.5"
Crated Weight	263 lbs.
Crated Length x Width x Height	48.75" x 34.75" x 36"

### Electrical / Refrigeration

	One-Section ULR46B-L
Voltage	115/60/1
HACR Breaker	15.0 Amps
Electrical Connection (NEMA)	5-15P Ⓢ
Voltage Range	104-126
Ambient Temp. Range	45° to 100°F
Control Setpoint Range	28° to 45°F
Recommended Setpoint	36°F
Amperage	3
Energy Consumption (kWh/day) @ASHRAE	0.92
Heat Rejection (BTU/Hr.) @NSF	333
Approx. Nominal Compres. BTU/HR (HP)	1354 (1/5HP)
Refrigerant / Charge Amount (oz)	R290 (2.2 oz)

### Options

- 2" Casters (HS-5037, set of 4)
- 6" Casters (HS-5036, set of 4)
- Foot pedal kit (HS-5555, Lft hinge)
- Foot pedal kit (HS-5556, Rt hinge)
- Overshelves (HS-5229 single)
- Overshelves (HS-5228 double)
- Addtl. Epoxy Shelves (HS-5152, 1pk)
- Addtl. Stainless Shelves (HS-5154, 1pk)



Seven year warranty on labor, parts, and compressor. Valid in United States, Canada, Puerto Rico and U.S. Territories.

For more information, please visit [hoshizakiamerica.com/support/warranty/](http://hoshizakiamerica.com/support/warranty/)

If GFCI is required, a GFCI breaker MUST be used in lieu of GFCI receptacle

Hoshizaki reserves the right to change specifications without notice.



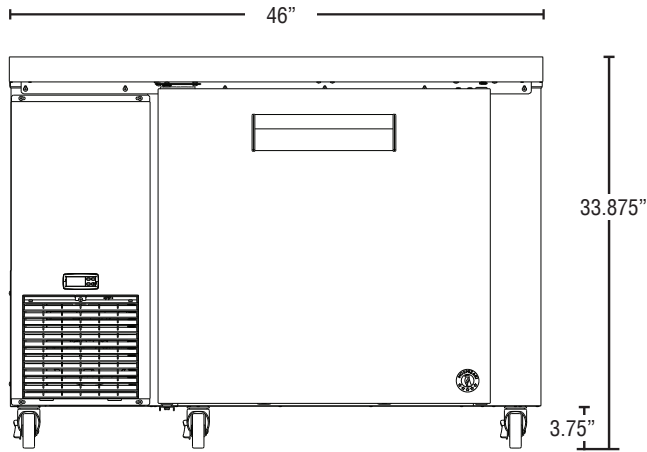
# ULR46B-L

Undercounter 46" Side Mount Refrigerator with One Door

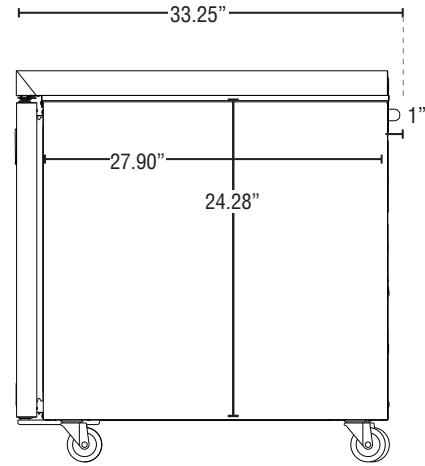


ULR46B-L  
04/30/26  
Item # 13686-L

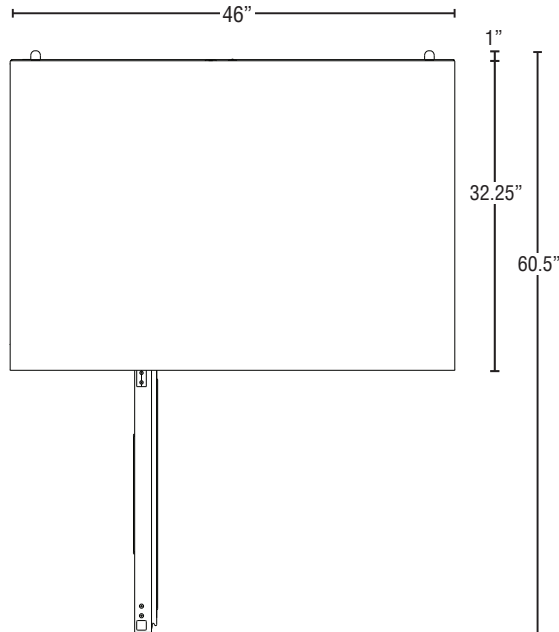
FRONT VIEW



SIDE VIEW



PLAN VIEW



### Cabinet Construction

The exterior cabinet top, front, and sides, are constructed of high quality stainless steel. The exterior back and bottom are constructed of coated steel. The cabinet interior features stainless steel back, sides, and floor with an ABS top. Two heavy duty epoxy coated shelves per section is standard. Mounted on anodized aluminum pilasters the shelves are adjustable in 1/2" increments. Cabinet walls are insulated with 2" CFC free, foamed in place polyurethane. 4" polyolefin, stem casters (three with brakes) are standard.

### Door Construction

Doors are constructed of high grade stainless steel exterior with an ABS interior liner and are insulated with 2" CFC free, foamed in place polyurethane. Hoshizaki's exclusive "stepped" design protects the gasket while product is removed from the cabinet. Doors are provided with a one piece, extruded aluminum, flush mount handle. Spring assisted self-closing doors are equipped with a stay open feature past 90 degrees. Snap-in magnetic door gaskets are durable and easily removed for cleaning. Field reversible door hinging is standard.

### Refrigeration System

The high efficiency refrigeration system is self-contained with an E-coated evaporator for extended life. Condensate removal is accomplished with an energy efficient non-electric evaporation system. A capillary tube controls the flow of environmentally friendly R290 refrigerant through the evaporator. Refrigeration system utilizes an off-cycle defrost to eliminate any ice on the evaporator coil. 115 volt units are equipped with a ten foot cord and plug (20.0 amps or less).