



# HOSHIZAKI

## Parts List

Ice Dispensing Bin

Models

DB-I30H

DBW-I30H

DB-200H

DBW-200H



[hoshizakiamerica.com](http://hoshizakiamerica.com)

Number: 71460  
Issued: 10-31-2025  
Revised: 4-28-2026

## CONTENTS

Auxiliary Codes.....	3
Note About Ordering Parts .....	4
A. Main Assembly .....	5
DB-130H, DBW-130H.....	5
DB-200H, DBW-200H.....	6
B. Bin Assembly .....	8
DB-130H, DBW-130H.....	8
DB-200H, DBW-200H.....	9
C. Mechanism Assembly .....	11
DB-130H, DBW-130H.....	11
DB-200H, DBW-200H.....	12
D. Water Circuit .....	14
E. Solenoid Assembly .....	15
F. Accessories & Labels.....	16

## Auxiliary Codes

### DB-130H

L-0 September 2001  
M-0 February 2002  
N-0 January 2003  
P-0 December 2003  
P-5 October 2004  
R-5 December 2004  
R-5 December 2005  
S-5 January 2007  
S-6 April 2007  
S-7 September 2007  
T-5 January 2008  
T-6 February 2008  
U-5 January 2009  
V-5 March 2010  
A-5 April 2011  
B-5 January 2012  
B-6 February 2012  
C-5 January 2013  
D-5 January 2014  
E-5 January 2015  
F-5 January 2016  
G-5 January 2017  
H-5 January 2018  
H-6 April 2018  
J-5 January 2019  
K-5 January 2020  
L-5 January 2021  
L-6 July 2021  
M-5 January 2022  
N-5 February 2023  
P-5 January 2024  
Q-5 January 2025  
R-5 January 2026

### DB-200H

L-0 September 2001  
M-0 December 2001  
M-1 June 2002  
N-0 December 2002  
P-0 December 2003  
P-5 October 2004  
R-5 December 2004  
R-5 December 2005  
S-5 January 2007  
S-6 April 2007  
S-7 September 2007  
T-5 January 2008  
T-6 February 2008  
U-5 January 2009  
V-5 January 2010  
A-5 May 2011  
B-5 January 2012  
B-6 February 2012  
C-5 January 2013  
D-5 January 2014  
E-5 January 2015  
F-5 January 2016  
G-5 January 2017  
H-5 January 2018  
H-6 April 2018  
J-5 January 2019  
J-6 October 2019  
K-5 January 2020  
L-5 January 2021  
L-6 July 2021  
M-5 January 2022  
N-5 January 2023  
P-5 January 2024  
Q-5 January 2025  
R-5 January 2026

### DBW-130H

Q-5 July 2025  
R-5 TBD 2026

### DBW-200H

Q-5 May 2025  
R-5 April 2026

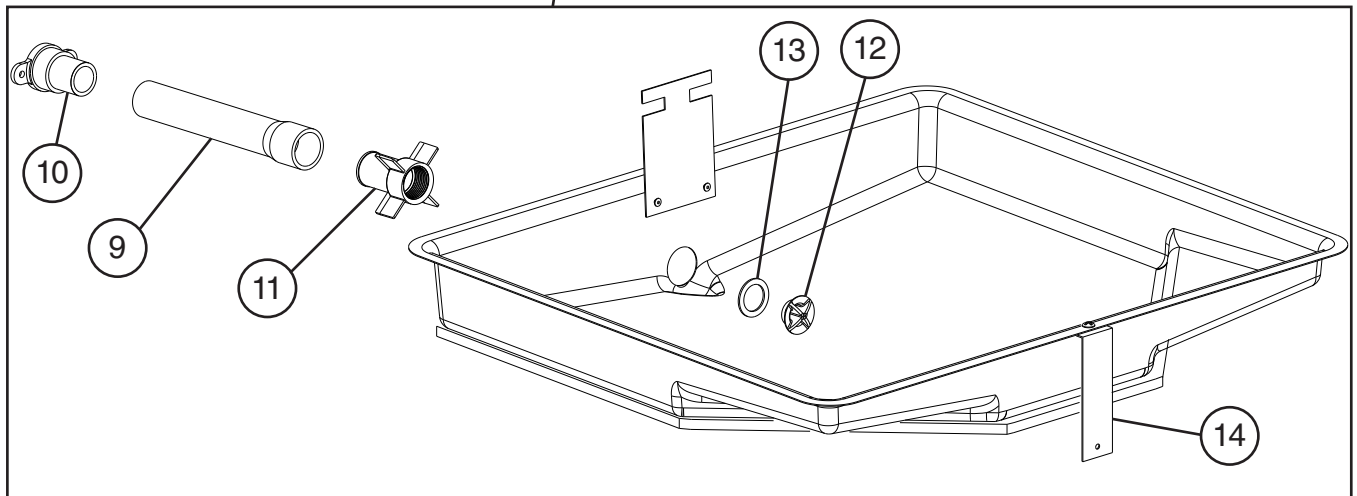
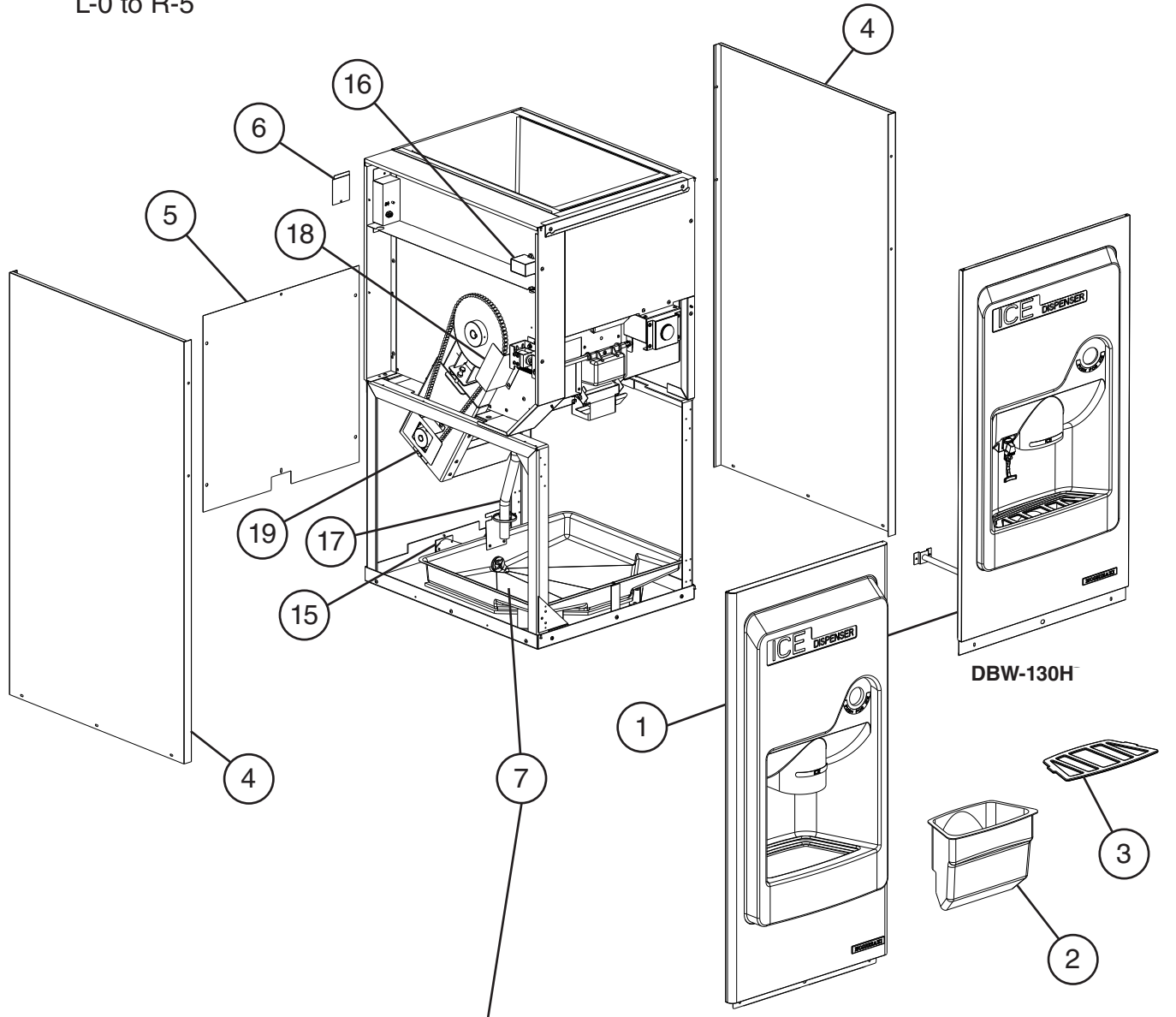
## **Auxiliary Code Breakdown**

The auxiliary code is the first two characters in the serial number. The first character indicates the year. Years progress or regress in alphabetical order. The series runs from "A" through "V" and the letters "I" and "O" are skipped. The second character indicates significant part changes within a year. Base is "5" (0 for auxiliary codes P-0 and earlier) and this number advances for each change.

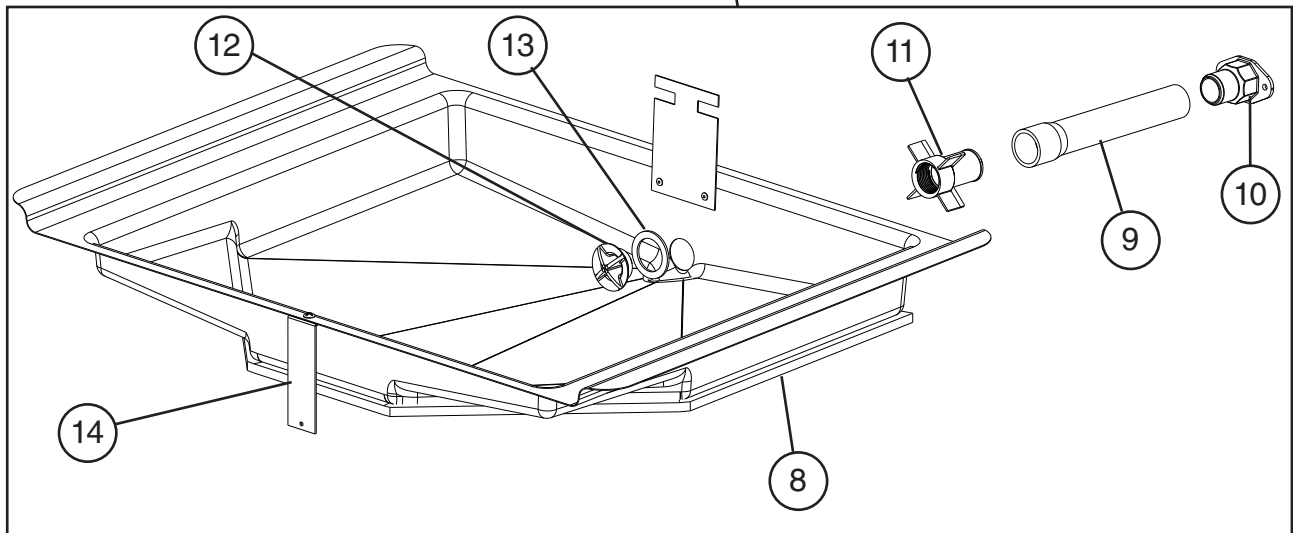
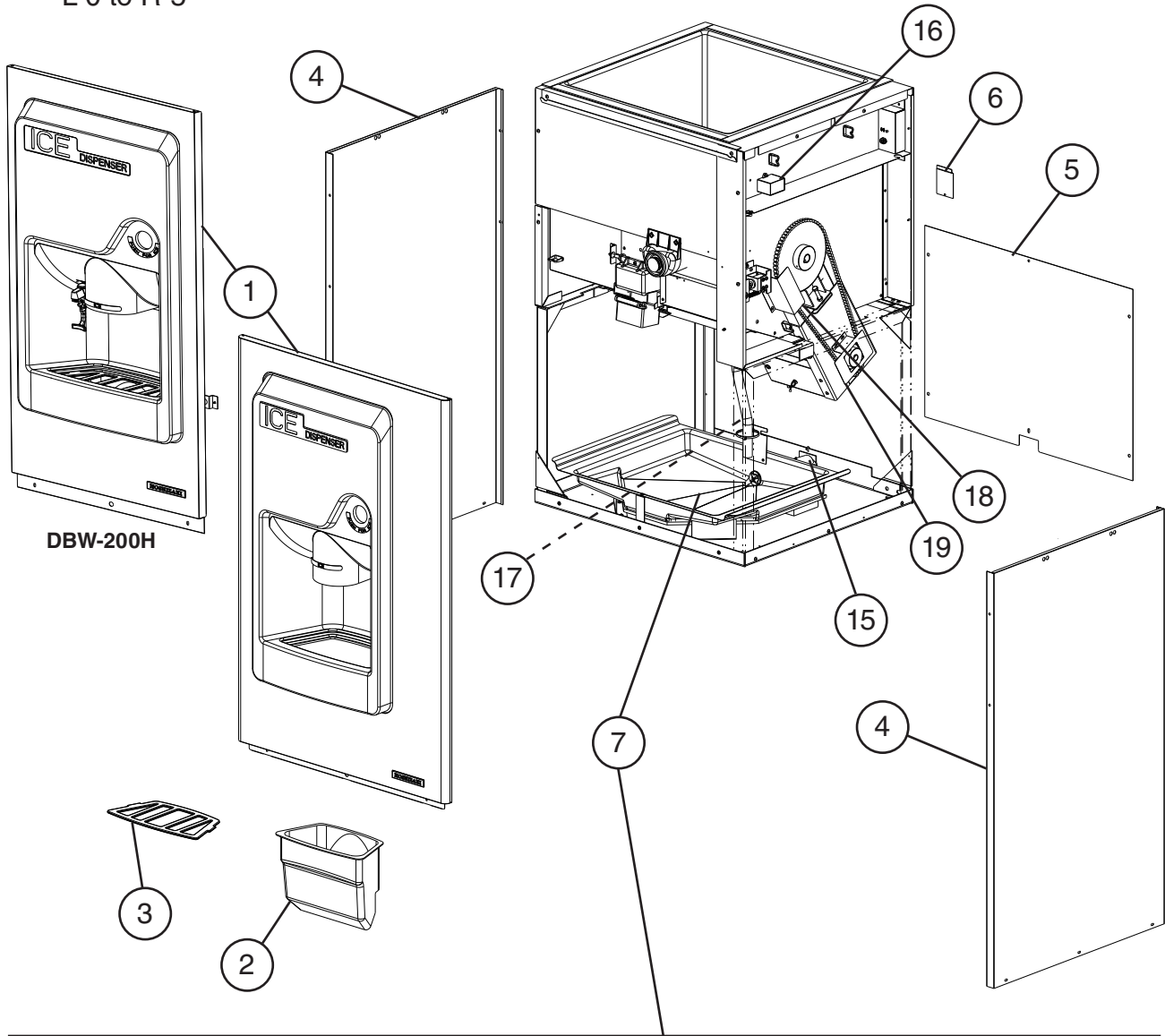
## **Note About Ordering Parts**

Most assemblies cannot be ordered as complete units; parts in the assemblies generally must be ordered separately.

**A. Main Assembly**  
**DB-130H, DBW-130H**  
**1/2**  
L-0 to R-5



**A. Main Assembly**  
**DB-200H, DBW-200H**  
**2/2**  
L-0 to R-5

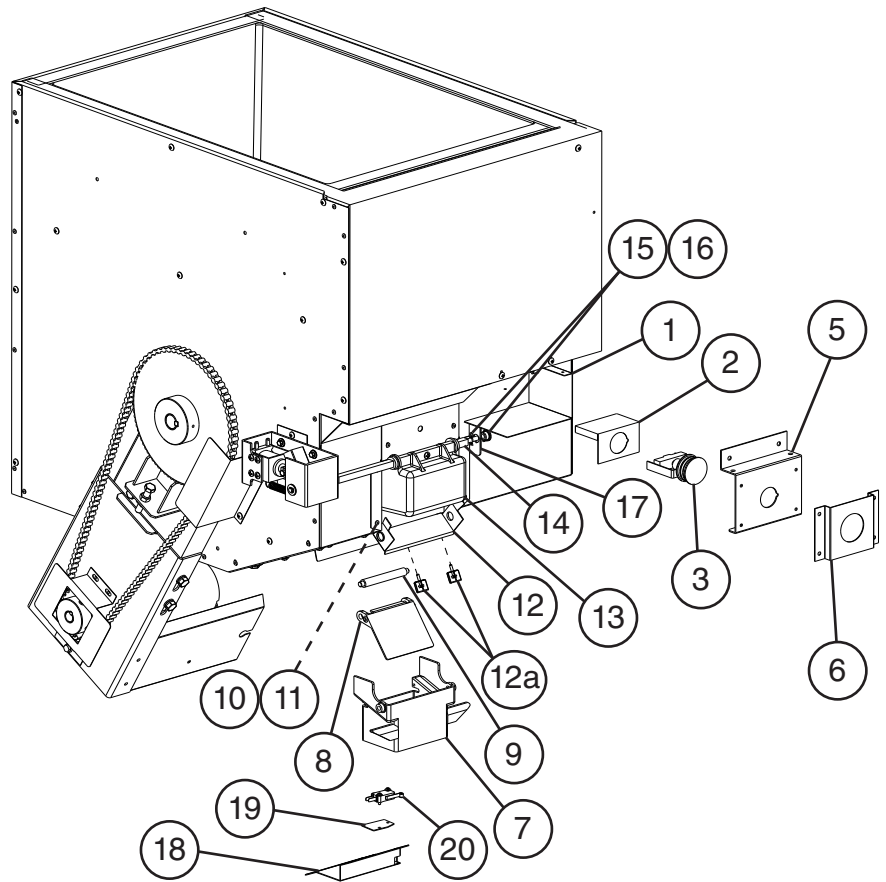


**Title: A. Main Assembly Model: DB-130H, DBW-130H, DB-200H, DBW-200H**

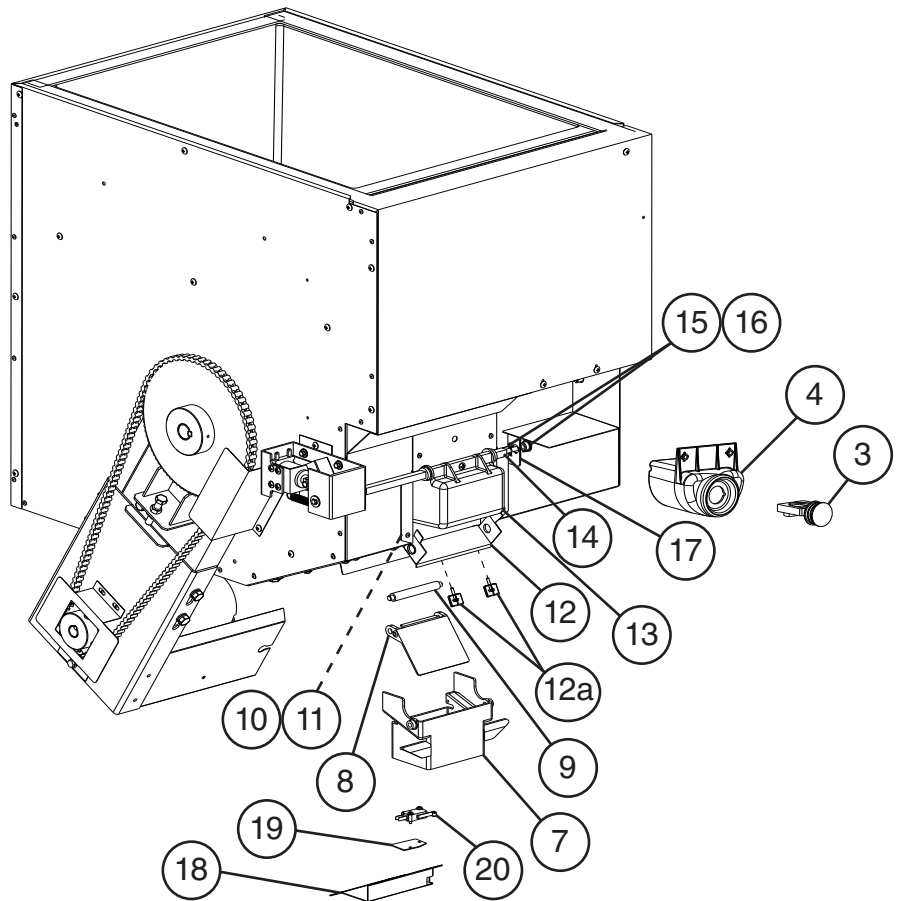
Index No.	Description	Material or Model Number	Part Number	Required Number									
				L-0 to T-5	T-6 to B-6 (D)	B-6 (E) to H-5	H-6 to L-5	L-6 to R-5					
1	Front Panel (includes items 2 and 3)		1A0606A01	1	1	1	1	-					
		<b>DB-130H</b>	2B0022A01					1					
		<b>DBW-130H</b>	2B0022A02					1					
			1A0615A01	1	1	1	1	-					
		<b>DB-200H</b>	2B0031A01					1					
	<b>DBW-200H</b>	2B0031A02					1						
2	Chute		2A2371-01	1	1	1	1	1					
3	Drain Board		3A2145-01	1	1	1	1	1					
4	Side Panel	<b>DB-130H</b>	2A9619-01	2	2	2	2	2					
		<b>DBW-130H</b>											
		<b>DB-200H</b>	2A9619-02	2	2	2	2	2					
		<b>DBW-200H</b>											
5	Rear Panel	<b>DB-130H</b>	324904-01	1	1	1	1	1					
		<b>DBW-130H</b>	3B2305-01					1					
		<b>DB-200H</b>	323051-01	1	1	1	1	1					
		<b>DBW-200H</b>	3B2306-01					1					
6	Junction Box Cover		433410-01	1	1	1	1	1					
7	Drain Pan Assembly (includes items 9 through 14)	<b>DB-130H</b>	214616A02	1	1	1	1	1					
		<b>DBW-130H</b>											
		(B-5 and earlier includes item 8. B-6 and later includes items 8 through 14)	<b>DB-200H</b>	212960G01	1	1	-						
		<b>DBW-200H</b>	214616A03			1	1	1					
8	Insulation Sheet	<b>DB-200H</b>	3A0236-01	1	1	-							
		<b>DBW-200H</b>	3A0237-01			1	1	1					
9	Drain Hose		436315-01	1	1	1	1	1					
10	Drain Fitting		4A5528-02	1	1	1	1	1					
11	Drain		429770-01			1	1	1					
12	Drain Cap (B)		418294-01			1	1	1					
13	Rubber Packing		413857-02			1	1	1					
14	Drain Pan Bracket		435529-01	1	1	1	1	1					
15	Drain Fitting Pad		4A0144-01	1	1	1	1	1					
16	Gear Motor Capacitor	25MFD, 370VAC	3A2005-06	1	-								
		20MFD, 250VAC	4A4319-02		1	1	1	1					
17	Vinyl Hose	L=445 mm	7716B2025	1	1	1	1	1					
18	Chain Cover A		438282-01	1	1	1	1	1					
19	Chain Cover B		438283-01	1	1	1	1	1					

**B. Bin Assembly**  
**DB-130H, DBW-130H**  
**1/2**  
L-0 to R-5

**J-5(K) and Earlier**



**J-5(L) and Later**

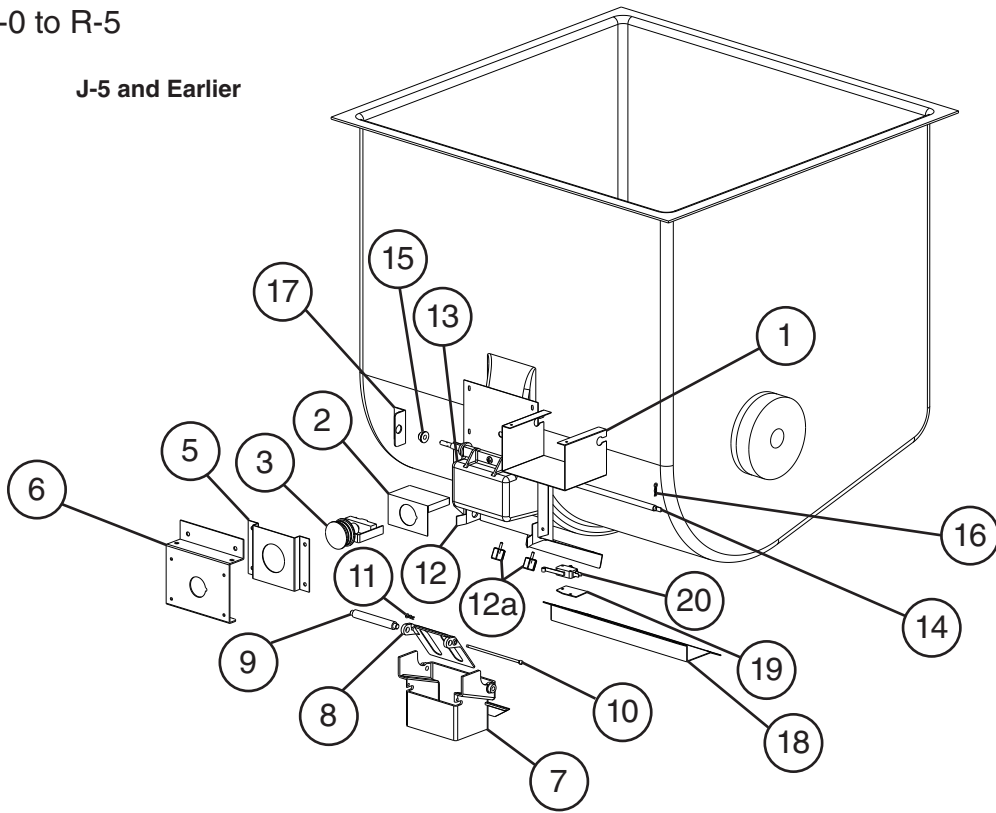


# B. Bin Assembly DB-200H, DBW-200H

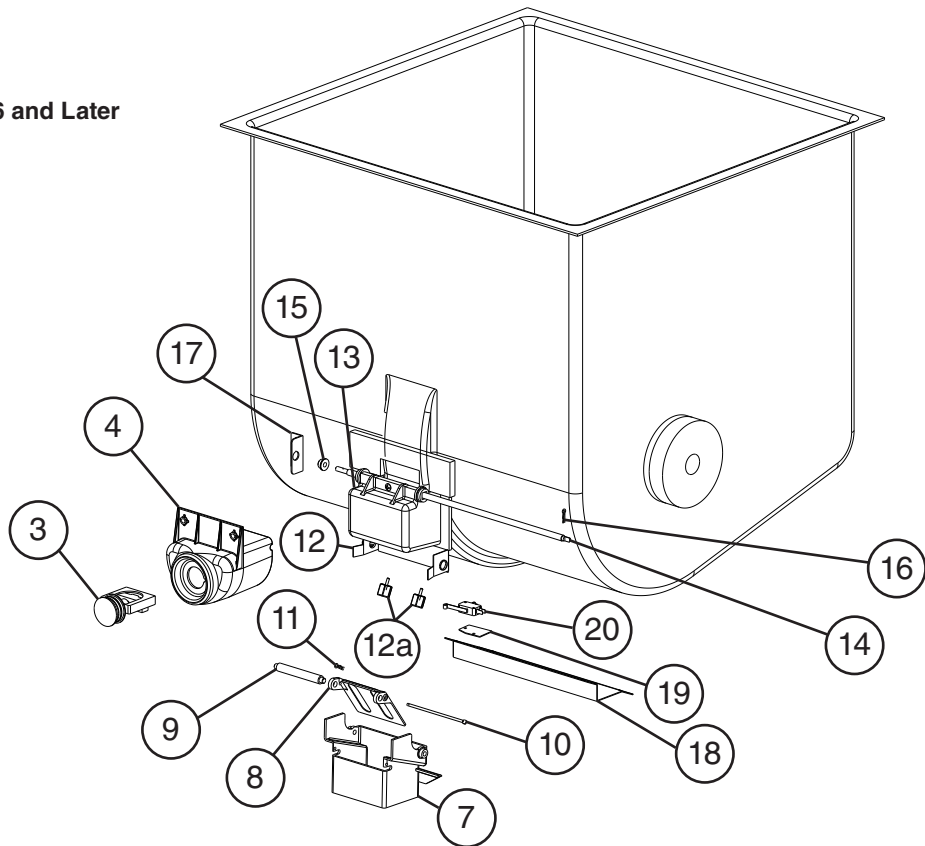
2/2

L-0 to R-5

J-5 and Earlier

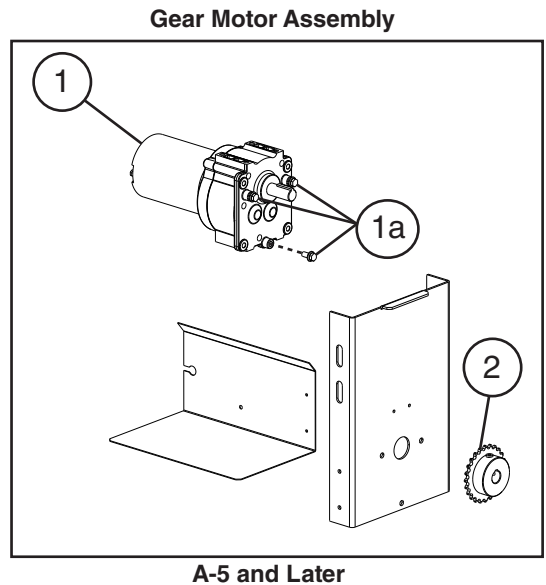
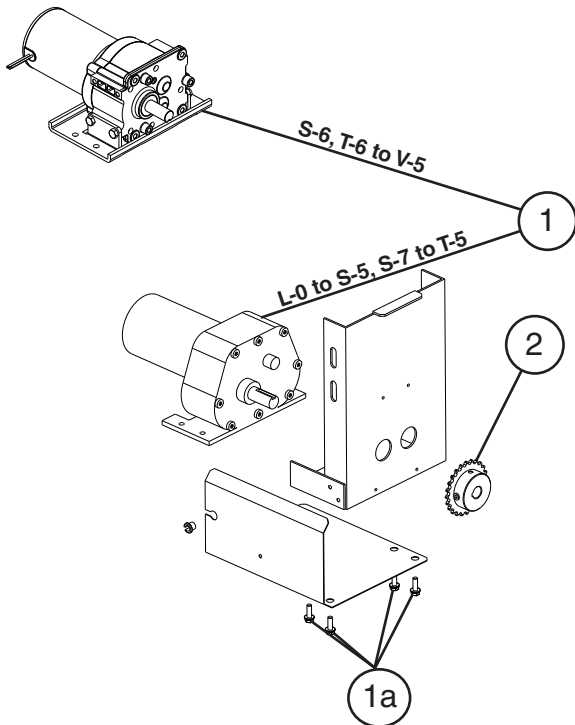
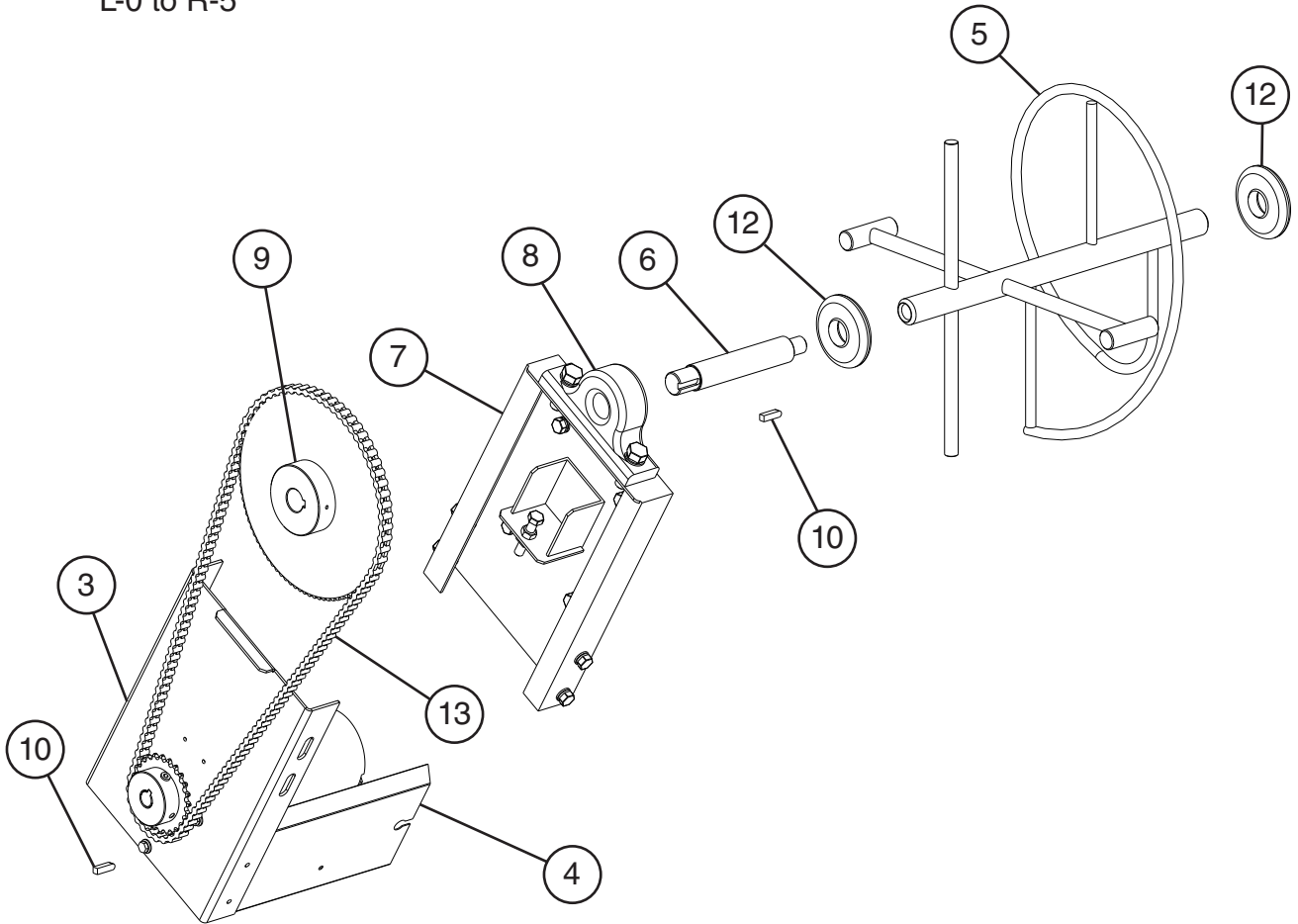


J-6 and Later

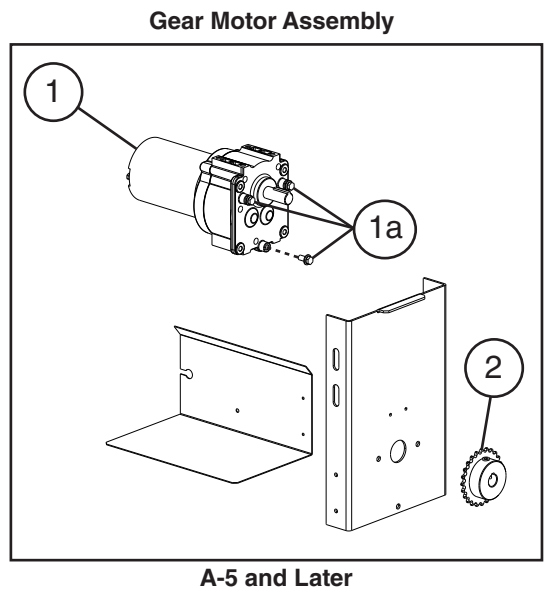
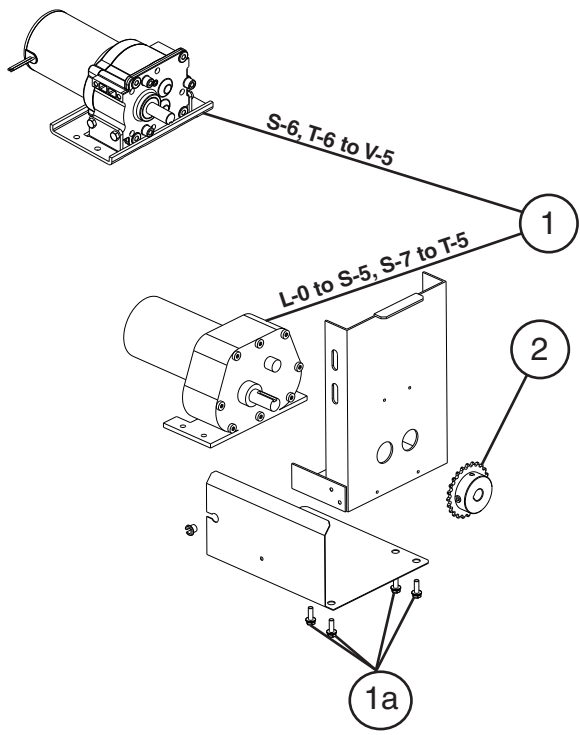
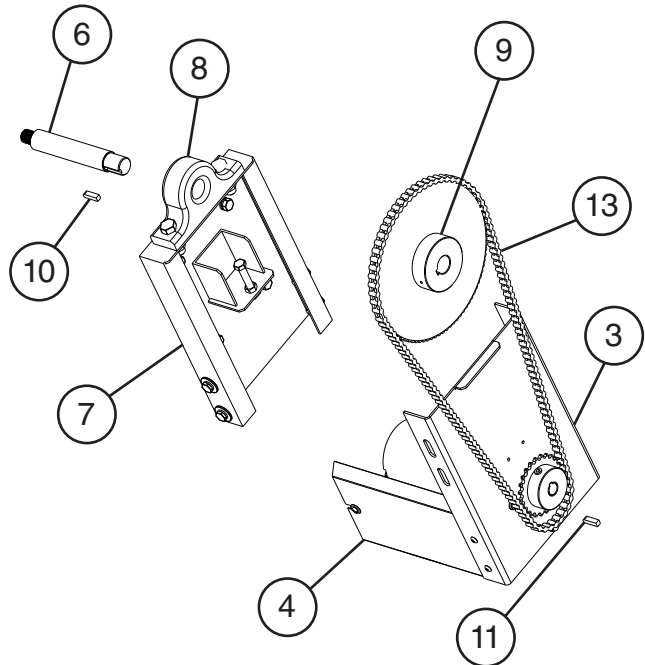
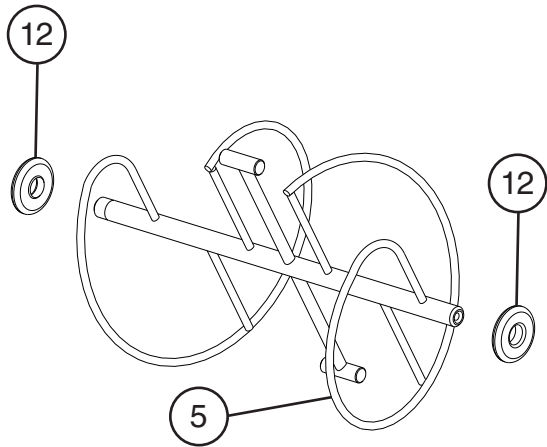


Title: B. Bin Assembly Model: DB-130H, DBW-130H, DB-200H, DBW-200H											
Index No.	Description	Material or Model Number	Part Number	Required Number							
				L-0 to J-5 (K)	J-5 (L) to R-5						
1	Spout Switch Cover (A)		3A1950-01	1	-						
2	Safety Cover		3A0415-01	1	-						
3	Push Switch		435745-01	1	1						
4	Push Switch Housing		3A9824-01		1						
5	Spout Switch Bracket		3A1947-01	1	-						
6	Spout Switch Cover (B)		4A2459-01	1	-						
7	Spout (A)		325994-01	1	1						
8	Shutter (B)		435539-01	1	1						
9	Weight		435540-01	1	1						
10	Shaft (D)		4A1210-01	1	1						
11	Snap Pin		715S-0004	1	1						
12	Hook		439398-01	1	1						
12a	Thumbscrew		415949G12	2	2						
13	Shutter (A)		215459-01	1	1						
14	Shaft Shutter	DB-130H DBW-130H	324899-01	1	1						
		DB-200H DBW-200H	328648-01	1	1						
15	Shutter Collar		435533-01	1	1						
16	Snap Pin		715S-0006	1	1						
17	Collar Bracket		439399-01	1	1						
18	Safety Switch Cover	DB-130H DBW-130H	324900-01	1	1						
		DB-200H DBW-200H	324706-01	1	1						
19	Spacer		429933-01	1	1						
20	Micro-Switch		4A2546-01	1	1						

**C. Mechanism Assembly**  
**DB-130H, DBW-130H**  
**1/2**  
 L-0 to R-5

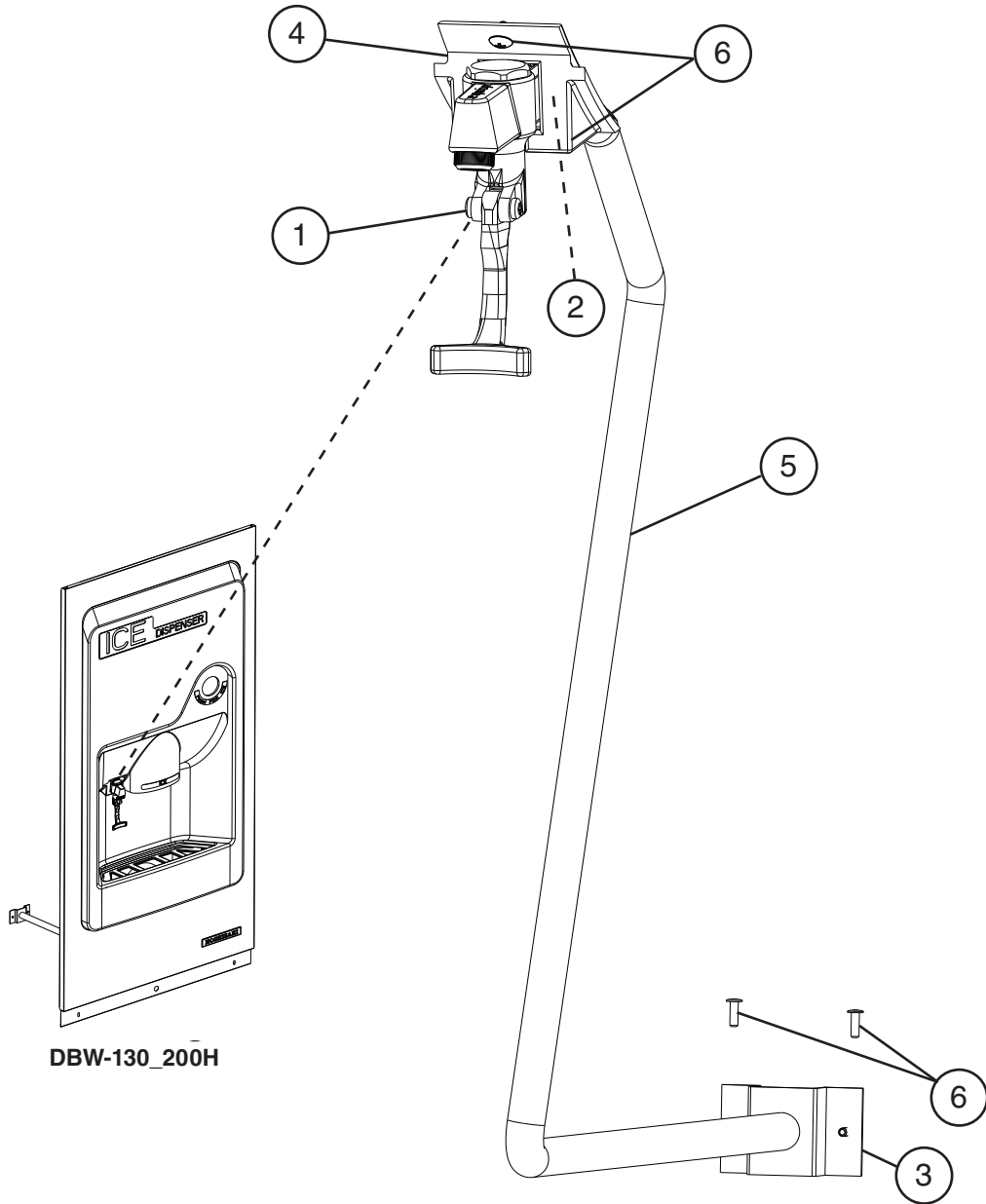


**C. Mechanism Assembly**  
**DB-200H, DBW-200H**  
**2/2**  
 L-0 to R-5



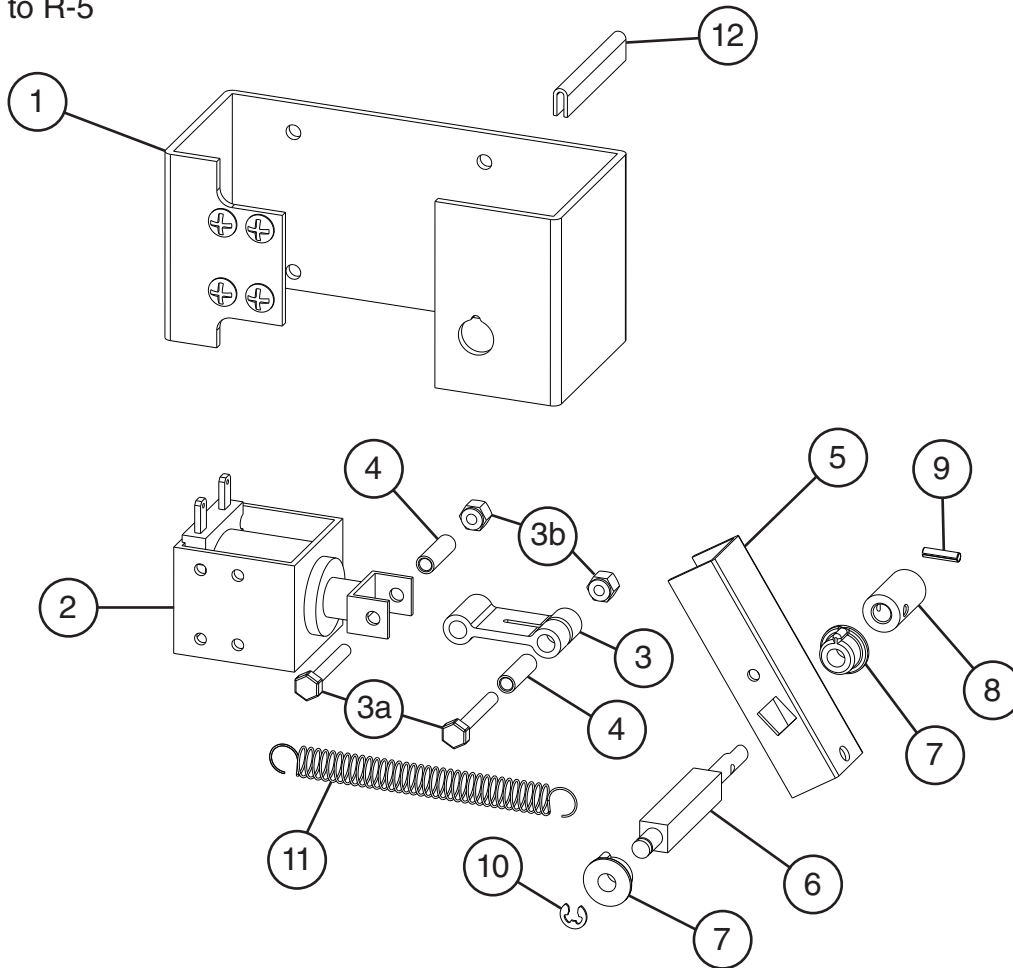
Title: C. Mechanism Assembly Model: DB-130H,DBW-130H, DB-200H, DB-200H													
Index No.	Description	Material or Model Number	Part Number	Required Number									
				L-0 to S-5	S-6	S-7 to T-5	T-6 to T-6 (J)	T-6 (K) to V-5	A-5 to R-5				
1	Gear Motor	HS-2128	4A0183-01	1	-	1	-						
			4A4264-01		1	-	1	1	-				
			4A5055-01						1				
1a	Bolt	6x20	4A1989-01	4	4	4	4	4	-				
	Hex Head Bolt - Serrated		4A5135-01						3				
2	Sprocket (A)		435557-01	1	1	1	1	-					
			4A4413-01					1	1				
3	Gear Motor Bracket (B)		2A0123-01	1	1	1	1	1	-				
			2A5462-01						1				
4	Barrier		3A0398-01	1	1	1	1	1	-				
			<b>DB-130H DBW-130H</b>	3A5806-01						1			
			<b>DB-200H DBW-200H</b>	3A5807-01						1			
5	Agitator		<b>DB-130H DBW-130H</b>	324892G01	1	1	1	1	1	1			
			<b>DB-200H DBW-200H</b>	212969G01	1	1	1	1	1	1			
6	Drive Shaft		<b>DB-130H DBW-130H</b>	437928-01	1	1	1	1	1	1			
			<b>DB-200H DBW-200H</b>	435551-01	1	1	1	1	1	1			
7	Gear Motor Bracket (A)		2A0450G01	1	1	1	1	1	1				
8	Pillow Block Bearing		435553-02	1	1	1	1	1	1				
9	Sprocket (B)		435554-01	1	1	1	1	1	1				
10	Key	<b>DB-130H</b> 6x6x22	437265-01	2	2	2	2	2	-				
				1	1	1	1	1	1				
11	Key	<b>DB-200H</b> 3/16x3/16	437265-02	1	1	1	1	1	-				
12	Seal (B)		435558-01	2	2	2	2	2	2				
13	Chain	130 pitches	435797-01	1	1	1	1	1	1				

**D. Water Circuit**  
**DBW-130, DBW-200H**  
 R-5



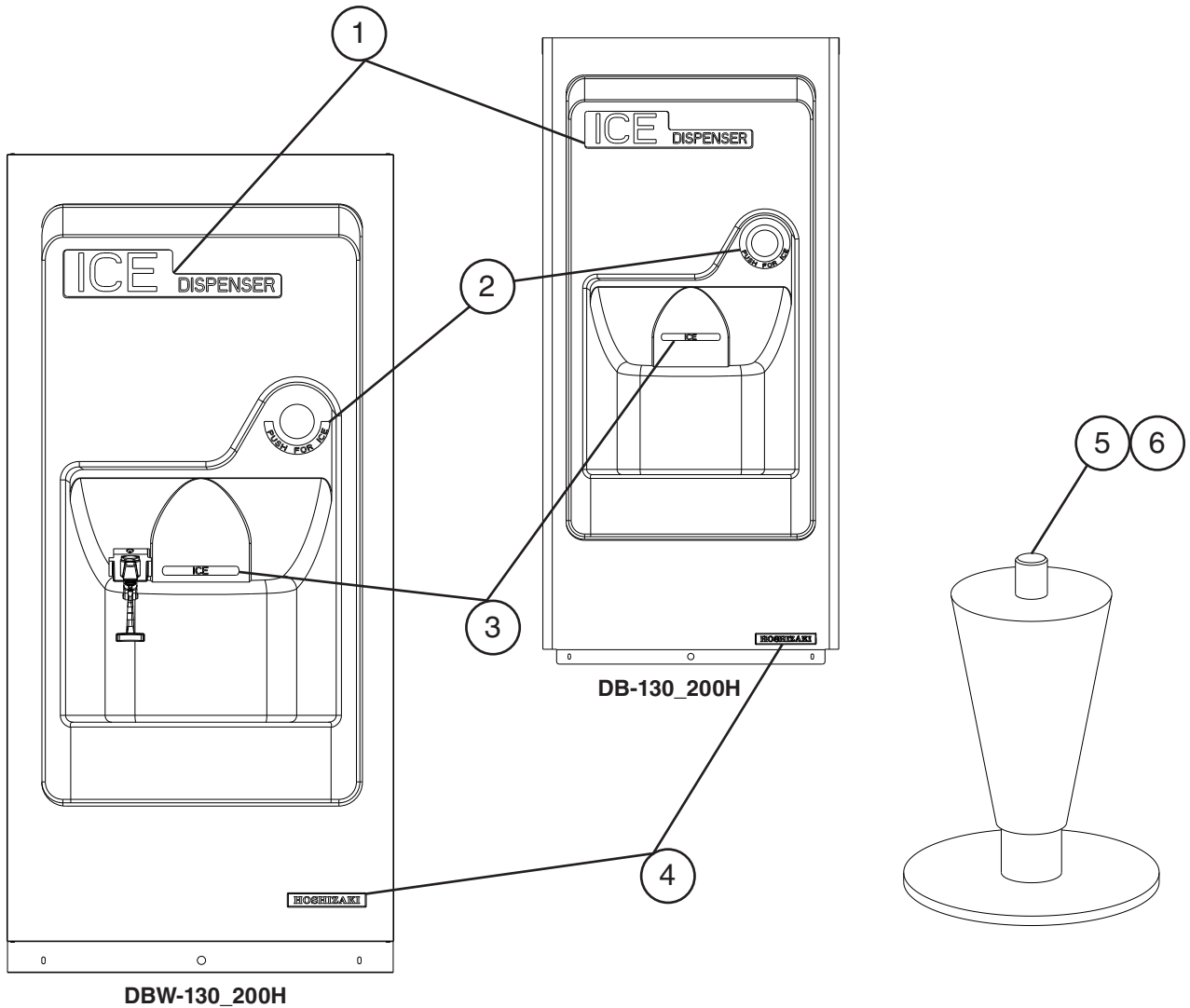
Title: D. Water Circuit Model: DBW-130, DBW-200H					Required Number							
Index No.	Description	Material or Model Number	Part Number	R-5								
1	Water Dispense Valve		3B2121-01	1								
2	Rubber Gasket		413854-03	2								
3	Fitting Holder		4A4968-03	1								
4	Dispense Valve Bracket		4A7685-01	1								
5	Hose Kit (includes one hose and two compression fittings)	SS 6ft	4A7686-01	1								
6	Screw		7P32-0408	4								

**E. Solenoid Assembly**  
**DB-130H, DBW-130, DB-200H, DB-200H**  
 L-0 to R-5



Title: E. Solenoid Assembly    Model: DB-130H, DBW-130H, DB-200H, DBW-200H					Required Number							
Index No.	Description	Material or Model Number	Part Number	L-0 to R-5								
1	Solenoid Bracket	<b>DB-130H</b>	3A0534-01	1								
		<b>DBW-130H</b>										
		<b>DB-200H</b>	3A0533-01	1								
		<b>DBW-200H</b>										
2	Solenoid		4A0856-01	1								
3	Link		432232-01	1								
3a	Hex Head Bolt	4x30, SS	7B02-0430	2								
3b	Hex Nut		7N22-0400	2								
4	Collar (D)		432471-01	2								
5	Link Solenoid		439397-01	1								
6	Shaft		435532-01	1								
7	Shutter Collar		435533-01	2								
8	Connector		435534-01	1								
9	Spring Pin	3x12, SS	712S-0312	1								
10	E-Ring		721S-0005	1								
11	Spring		432878-01	1								
12	Rubber Gasket	L=50 mm	4A0662L01	1								

**F. Accessories & Labels**  
**DB\_DBW-130\_200H**  
R-5



Title: F. Accessories & Labels    Model: DB-130H, DBW-130H, DB-200H, DBW-200H															
Index No.	Description	Material or Model Number	Part Number	Required Number											
				L-0 to R-5											
1	Naming Label		3A2025-01	1											
2	Push Label		4A2472-01	1											
3	Spout Label		4A2469-01	1											
4	Hoshizaki Emblem		4A0560-01	1											
5	Leg	<b>DB-200H</b> <b>DBW-200H</b>	4A2525-01	4											
	Adjustable Leg	<b>DB-130H</b> <b>DBW-130H</b>	4A2526-01	4											
6	Leg Protector	<b>DB-130H</b> <b>DBW-130H</b>	3A0134-01	4											