



Parts List

ER2A-FS

TABLE OF CONTENTS

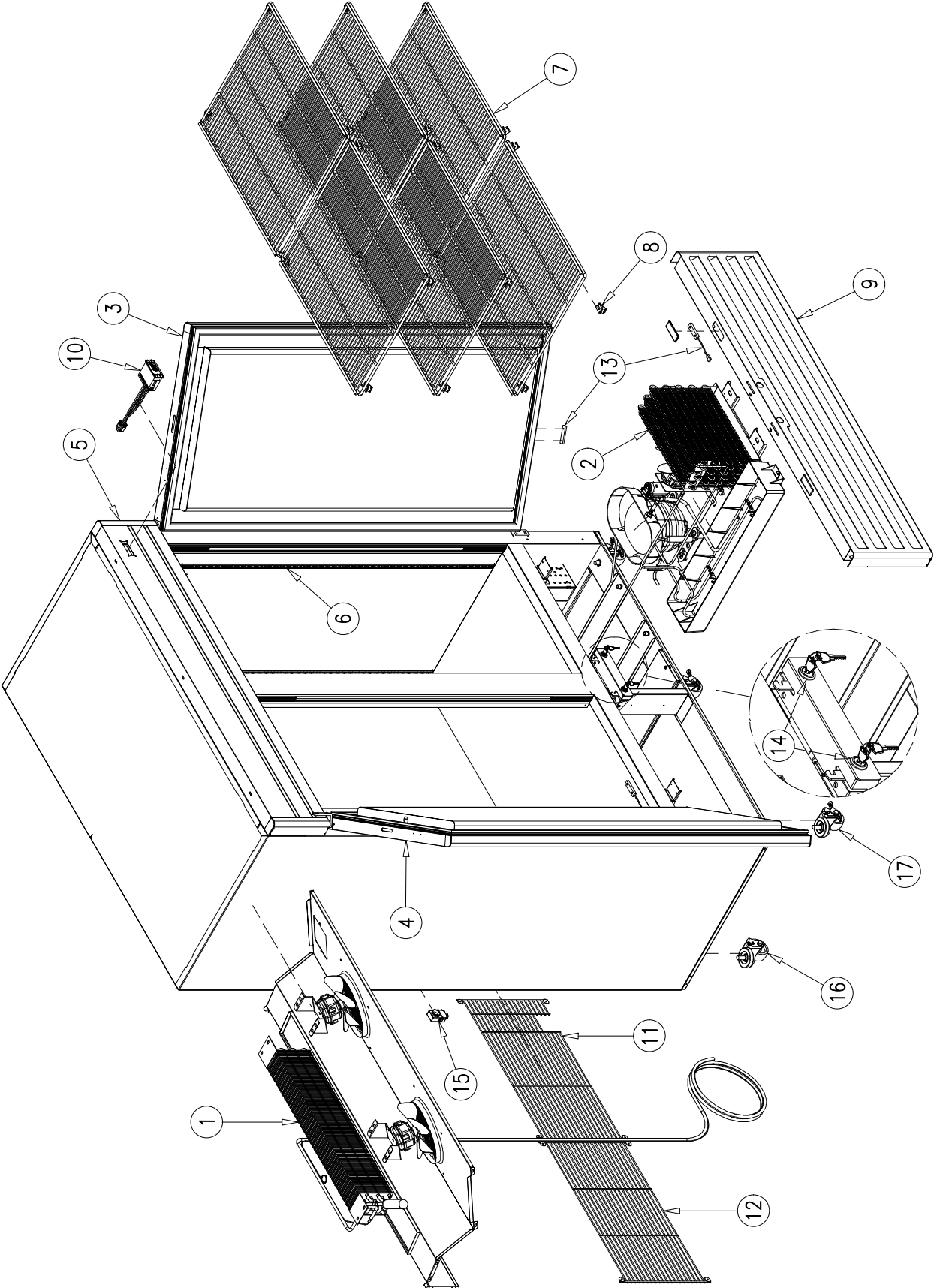
MAIN ASSEMBLY	3
EVAPORATOR ASSEMBLY	5
CONDENSING UNIT ASSEMBLY	7
DOOR ASSEMBLY	9
LIGHTING SYSTEM	11

NOTE:

To order spare parts, always include the following information:

- *Model Number* _____
- *Serial Number* _____

MAIN ASSEMBLY



ER2A-FS

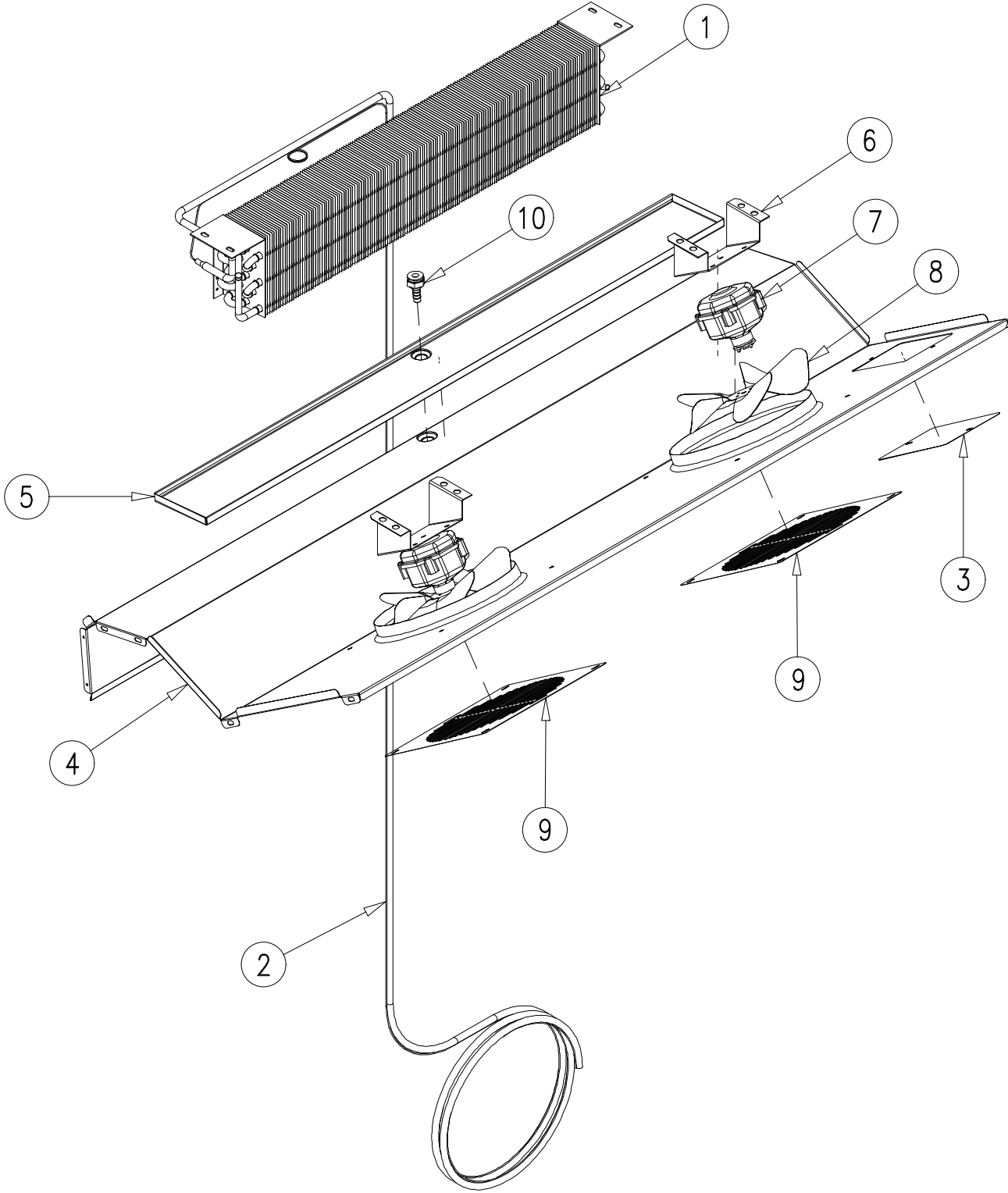
MAIN ASSEMBLY

<i>Item No.</i>	<i>Description</i>	<i>Part No.</i>	<i>Quantity per cooler</i>
1	EVAPORATOR ASSEMBLY	OT-EV-0194	1
2	CONDENSING UNIT ASSEMBLY	OT-UN-0497*	1
3	RIGHT DOOR ASSEMBLY	OT-PTA-0249-R-836*	1
4	LEFT DOOR ASSEMBLY	OT-PTA-0249-L-836*	1
5	HEADER SIGN	OT-RT-0228	1
6	PILASTER (48")	PI-5	8
7	FLAT SHELF	SH-0445-HD-FE-GR	6
8	SHELF CLIPS	CL-51-SS-E	24
9	FRONT GRILL	OT-CM-0295	1
10	CONTROL MODULE (XR07CH)	CT-69-DI-141	1
11	RIGHT BACK GRILL	SH-0562-G-GR	1
12	LEFT BACK GRILL	SH-0563-G-GR	1
13	DOOR SWITCH	EL-306	2
14	LOCK AND KEY SET	HA-471-G-K	2
15	PRESSURE RELIEF VALVE	VA-110*	1
16	BACK NON-LOCKING CASTER	CA-4	3
17	FRONT LOCKING CASTER	CA-4-BR	3

*Parts Change With Serial Number Break

ITEM No.	Description	Inter-changeable	Previous Component	Hoshizaki Last Serial Number and Earlier	Current Component	Hoshizaki First Serial Number and Later
2	CONDENSING UNIT ASSEMBLY	NO	OT-UN-0432	M-00270(L)	OT-UN-0497	N-00074(B)
	CONDENSING UNIT ASSEMBLY	NO	OT-UN-0090	K-01421(G)	OT-UN-0432	K-00001(K)
3	RIGHT DOOR ASSEMBLY	YES	OT-PTA-0249-R	K-00641(E)	OT-PTA-0249-R-836	K-00894(G)
4	LEFT DOOR ASSEMBLY	YES	OT-PTA-0249-L	K-00641(E)	OT-PTA-0249-L-836	K-00894(G)
15	PRESSURE RELIEF VALVE	NO	VA-103	L-03445(H)	VA-110	L-03493(H)

EVAPORATOR ASSEMBLY



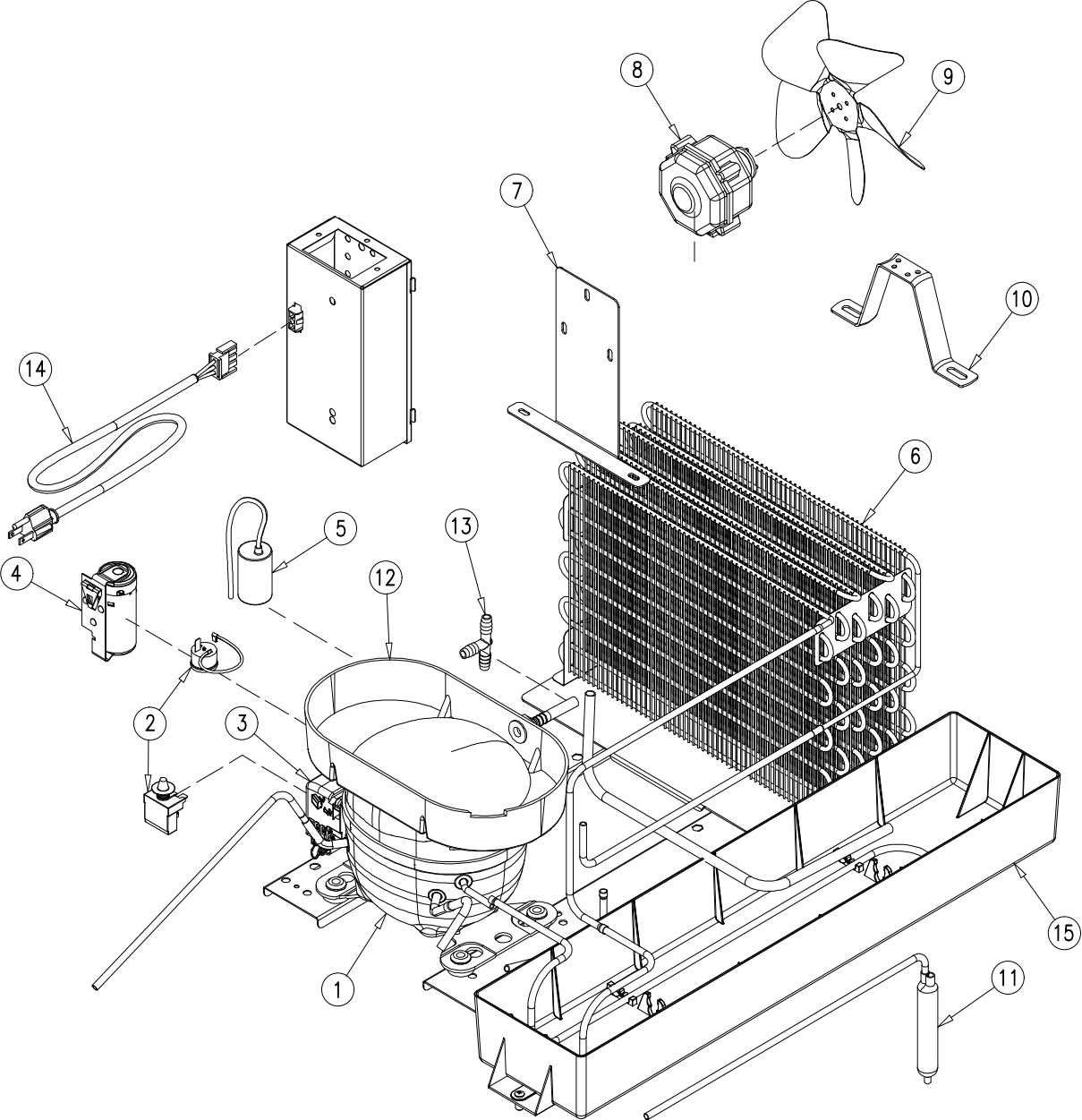
EVAPORATOR ASSEMBLY

<i>Item No.</i>	<i>Description</i>	<i>Part No.</i>	<i>Quantity per cooler</i>
1	EVAPORATOR	CO-369-EC*	1
2	HEAT EXCHANGER	OT-TUB-1152	1
3	SHROUD COVER	OT-9059	1
4	SHROUD	OT-21710	1
5	EVAPORATOR DRAIN PAN	OT-21712	1
6	EVAPORATOR FAN MOTOR BRACKET	OT-25449	2
7	EVAPORATOR FAN MOTOR	FA-122-SW-1800*	2
8	EVAPORATOR FAN BLADE	FA-2-SW*	2
9	FAN GUARD	OT-2395	2
10	DRAIN FITTING	DR-1-P	1

*Parts Change With Serial Number Break

ITEM No.	Description	Inter-changeable	Previous Component	Hoshizaki Last Serial Number and Earlier	Current Component	Hoshizaki First Serial Number and Later
1	EVAPORATOR	YES	CO-369	M-00667(G)	CO-369-EC	M-00237(L)
7	EVAPORATOR FAN MOTOR	YES	FA-41	M-01086 (B)	FA-122-SW-1800	M-00323(G)
8	EVAPORATOR FAN BLADE	YES	FA-2-EBM	K-01421(G)	FA-2-SW	K-00001(K)

CONDENSING UNIT ASSEMBLY



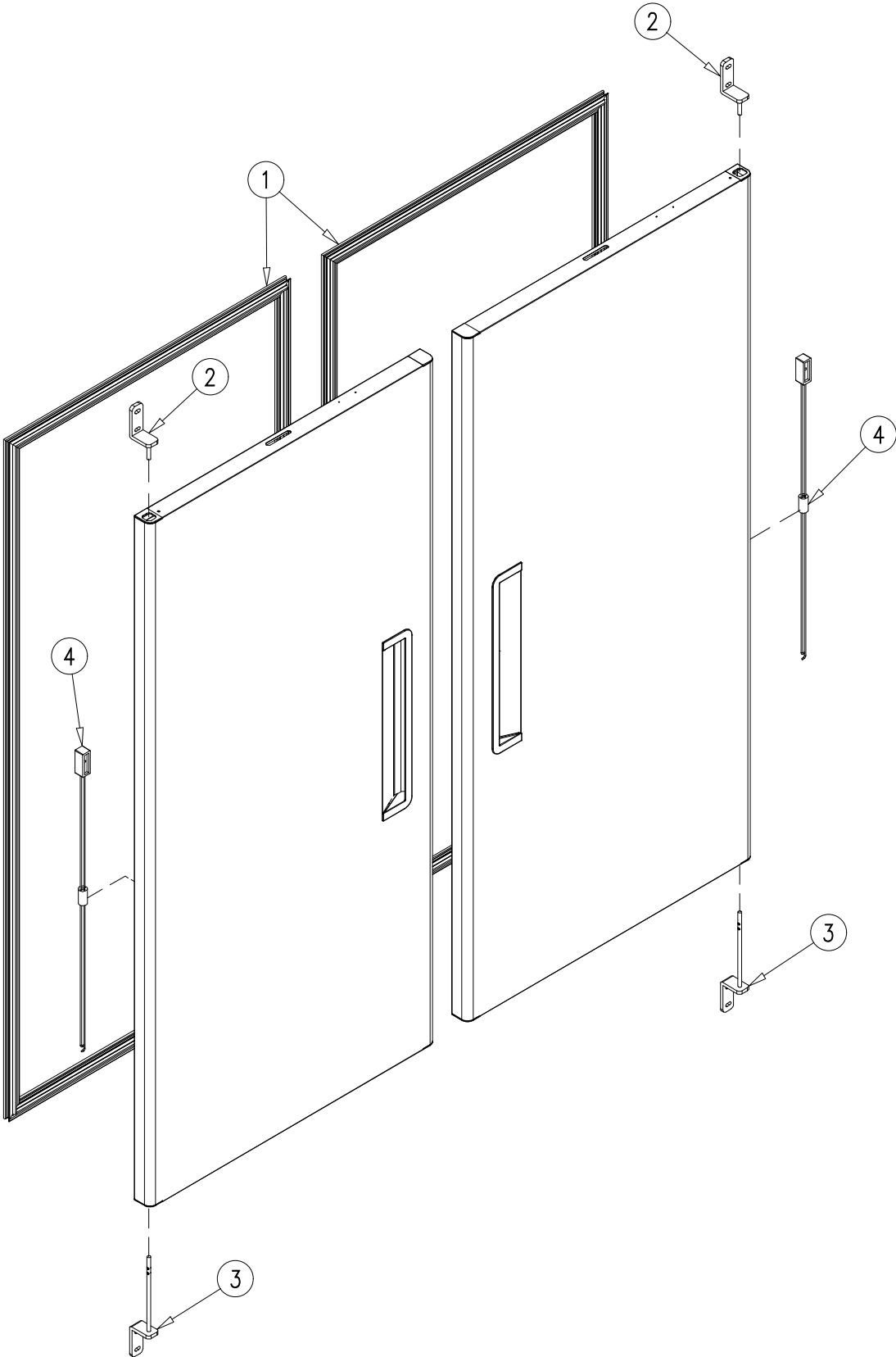
CONDENSING UNIT ASSEMBLY

<i>Item No.</i>	<i>Description</i>	<i>Part No.</i>	<i>Quantity per cooler</i>
1	COMPRESSOR (1/3HP 115-127V/60HZ R-290)	NUY90NRB*	1
2	EXTERNAL PROTECTOR (T0535) & PTC RELAY (2014 180)	EL-2195-R	1
3	ELECTRICAL BOX	EL-2153-R	1
4	START CAPACITOR (150µF 160V)	CAP-150-160	1
5	RUN CAPACITOR (10µF 250V)	CAP-10-250	1
6	CONDENSER	CO-454-L*	1
7	FAN MOTOR SUPPORT	OT-9015	1
8	CONDENSER FAN MOTOR	FA-122-SW-1550*	1
9	CONDENSER FAN BLADE	FA-11-WE	1
10	CONDENSER FAN MOTOR BRACKET	FA-18	1
11	DRIER	DR-31	1
12	DRAIN PAN	OT-RP-0358-DP7*	1
13	TEE	TEE-15-G*	1
14	POWER CORD (9 ft)	EL-1260-9*	1
15	OVERFLOW DRAIN PAN	OT-IN-0032*	1

*Parts Change With Serial Number Break

ITEM No.	Description	Interchangeable	Previous Component	Hoshizaki Last Serial Number	Current Component	Hoshizaki First Serial Number
1	COMPRESSOR	NO	NLY12NRB	M-00270(L)	NUY90NRB	N-00074(B)
6	CONDENSER	YES	CO-454	N-00442(H)	CO-454-L	P-00366(C)
8	CONDENSER FAN MOTOR	YES	FA-41	M-01086 (B)	FA-122-SW-1550	M-00323(G)
12	DRAIN PAN	NO	OT-RP-0231-DP8	M-00270(L)	OT-RP-0358-DP7	N-00074(B)
	DRAIN PAN	NO	DP-8	K-01421(G)	OT-RP-0231-DP8	K-00001(K)
13	TEE	N/A	N/A	N/A	TEE-15-G	K-00001(K)
14	POWER CORD	YES	OT-EL-1265-9-4784	N-00527(G)	EL-1260-9	N-00259(H)
15	OVERFLOW DRAIN PAN	NO	OT-TF-1191	N-00115(D)	OT-IN-0032	N-00001(G)

DOOR ASSEMBLY



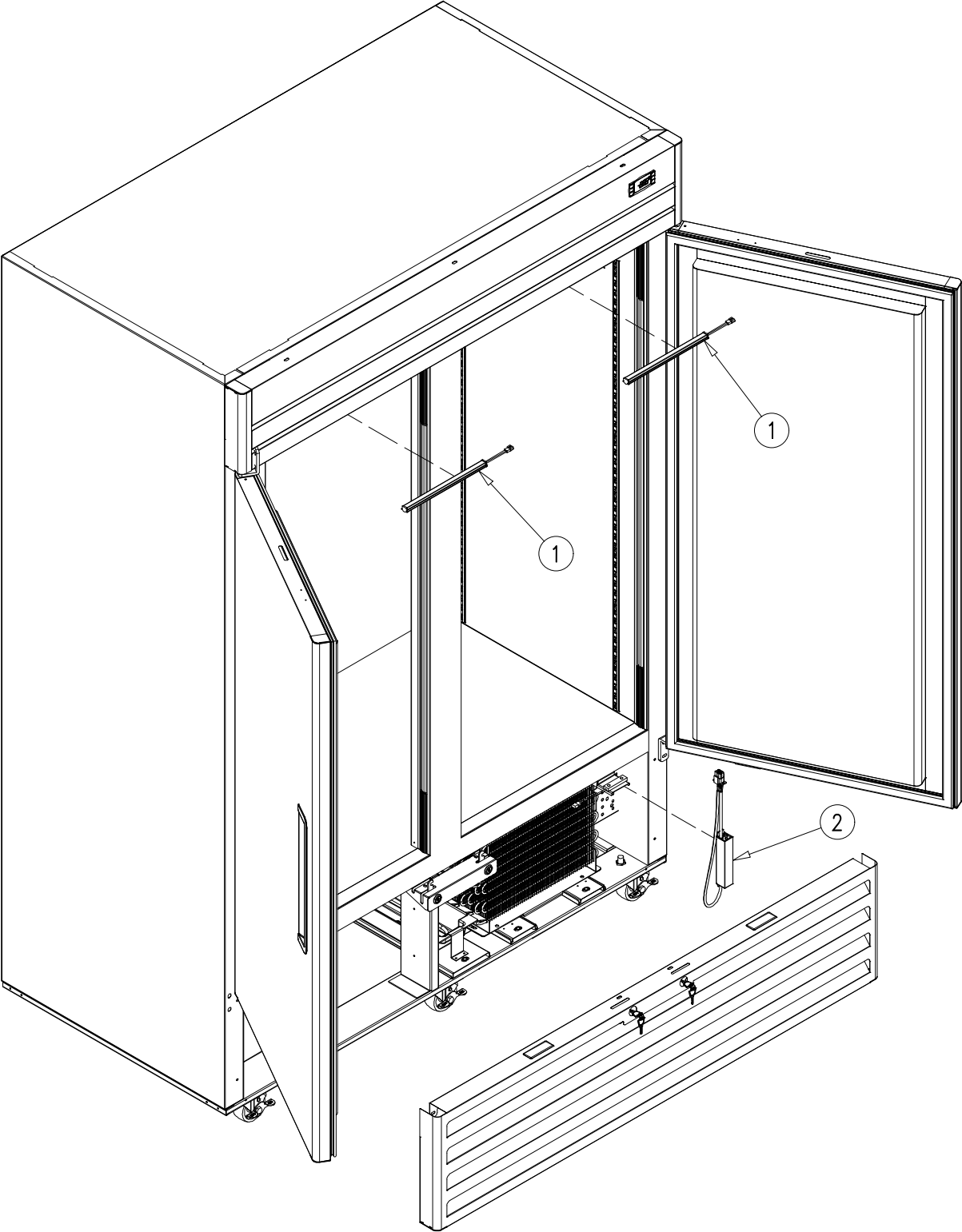
DOOR ASSEMBLY

<i>Item No.</i>	<i>Description</i>	<i>Part No.</i>	<i>Quantity per cooler</i>
1	MAGNETIC GASKET	OT-GA-500-PTA-0249*	2
2	UPPER HINGE ASSEMBLY	HA-535-R-K*	2
3	LOWER HINGE ASSEMBLY	HA-522-R-K*	2
4	TORSION MECHANISM	HA-479	2

***Parts Change With Serial Number Break**

ITEM No.	Description	Inter-changeable	Previous Component	Hoshizaki Last Serial Number and Earlier	Current Component	Hoshizaki First Serial Number and Later
1	MAGNETIC GASKET	YES	OT-GA-400-PTA-0249	L-00330(C)	OT-GA-500-PTA-0249	L-00132(G)
2	UPPER HINGE ASSEMBLY	YES	HA-647-R-K	L-00330(C)	HA-535-R-K	L-00132(G)
3	LOWER HINGE ASSEMBLY	YES	HA-646-R-K	L-00330(C)	HA-522-R-K	L-00132(G)

LIGHTING SYSTEM



LIGHTING SYSTEM

<i>Item No.</i>	<i>Description</i>	<i>Part No.</i>	<i>Quantity per cooler</i>
1	LED LAMP STRIP (9 3/4")	EL-145	2
2	LED DRIVER (1.25 Amp.)	OT-EL-151-T	1