



# HOSHIZAKI

## Parts List

Modular Cuber

Models  
IM-544SAK



[hoshizakiamerica.com](http://hoshizakiamerica.com)

Number: 71468  
Issued: 1-2-2026

## CONTENTS

Auxiliary Codes.....	3
Note About Ordering Parts .....	3
A. Main Assembly & Refrigeration Circuit .....	4
A. Main Assembly & Refrigeration Circuit .....	5
B. Mechanism Assembly.....	8
. Water Circuit .....	10
D. Control Box Assembly.....	12
E. Accessories & Labels .....	13

## **Auxiliary Codes**

**IM-544SAK**

Q-0 November 2025

### **Auxiliary Code Breakdown**

The auxiliary code is the first two characters in the serial number. The first character indicates the year. Years progress or regress in alphabetical order. The series runs from "A" through "V" and the letters "I" and "O" are skipped. The second character indicates significant part changes within a year. Base is "0" and this number advances for each change. In cases where there is a letter in parentheses, this designates the month. This is the last character in the serial number. The series runs from "(A)" through "(M)" and the letter "(I)" is skipped. This designation is only included when identifying a parts change within an auxiliary code.

### **Note About Ordering Parts**

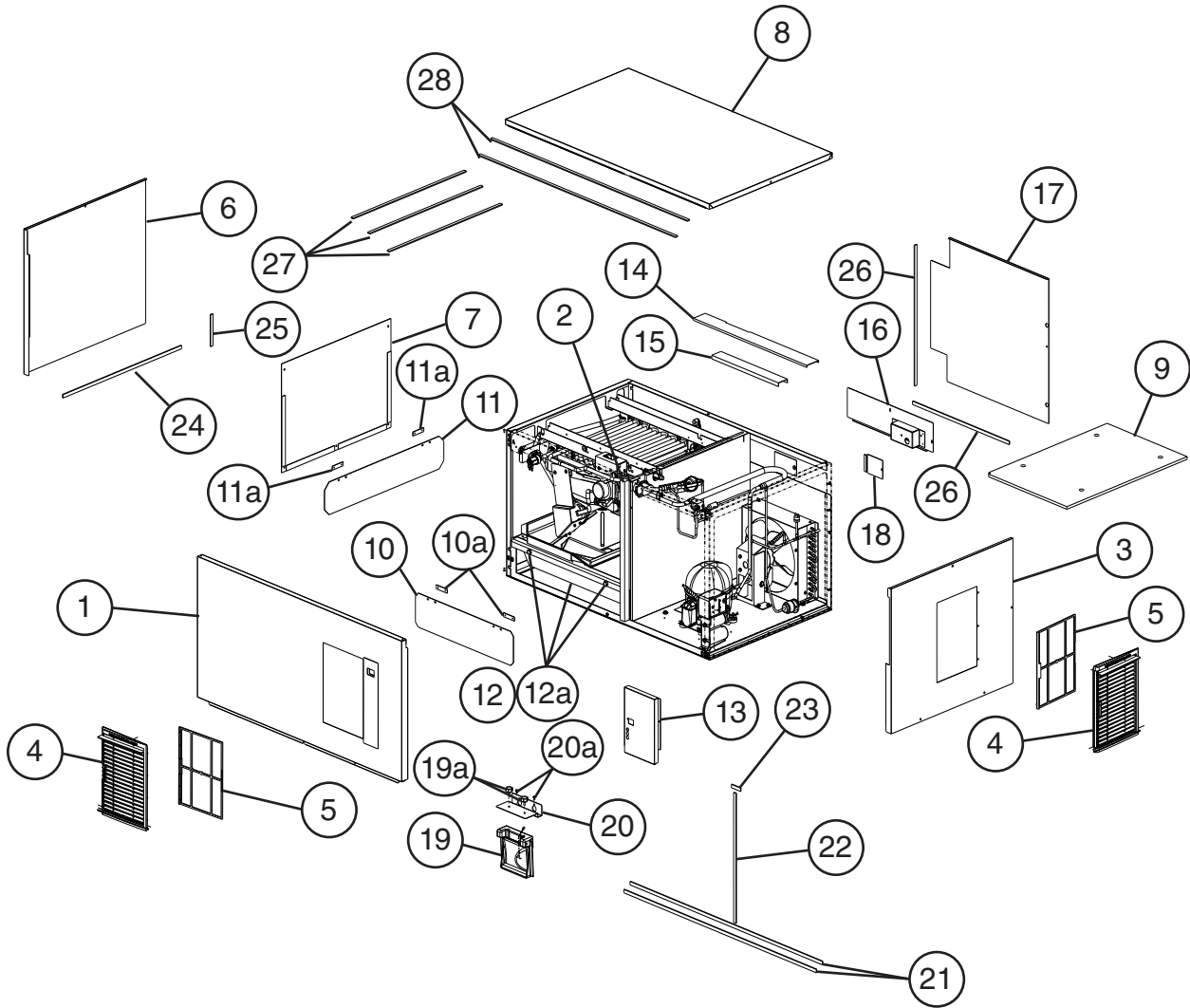
Most assemblies cannot be ordered as complete units; parts in the assemblies generally must be ordered separately.

# A. Main Assembly & Refrigeration Circuit

## IM-544SAK

Q-0

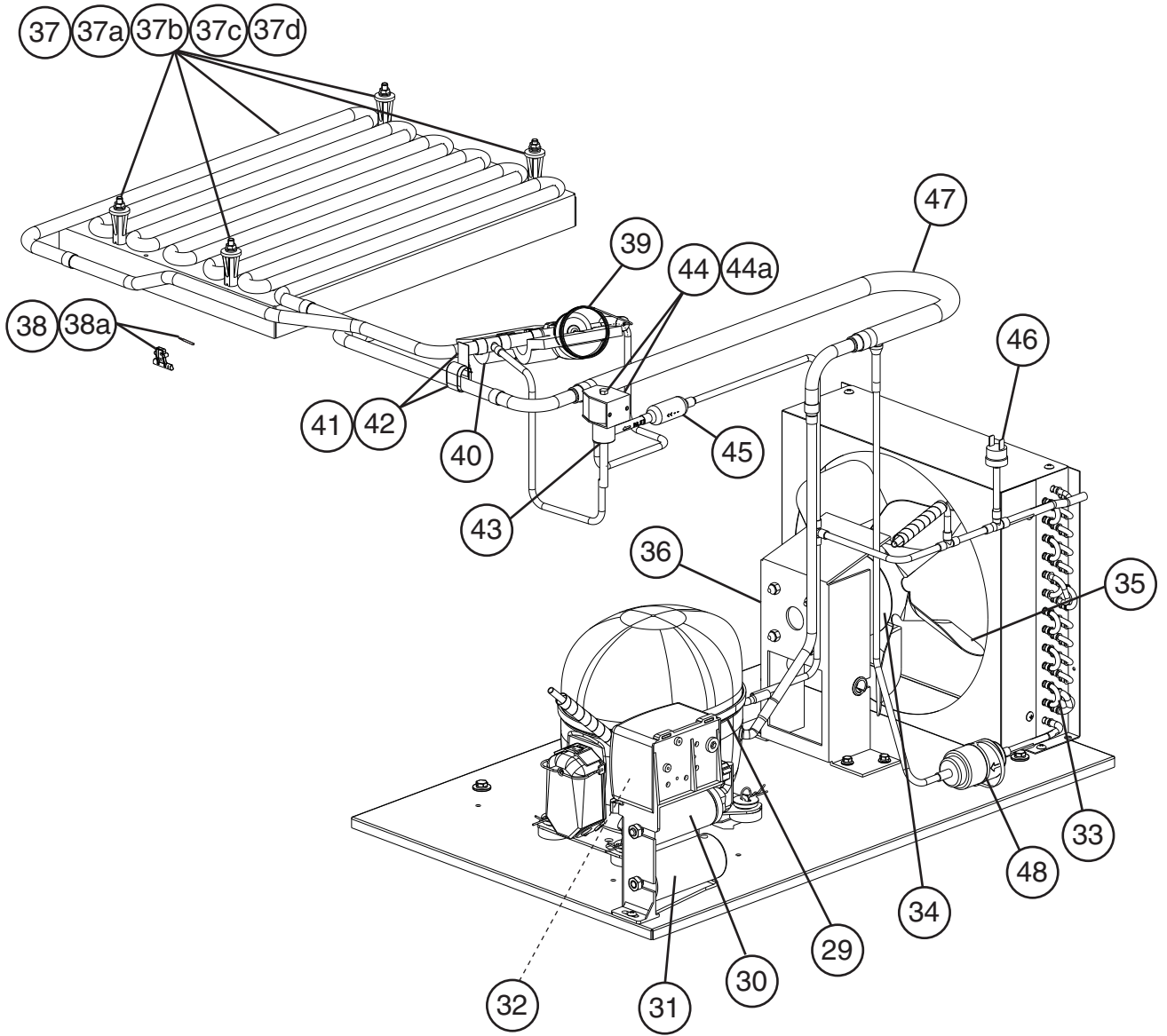
1/2



# A. Main Assembly & Refrigeration Circuit IM-544SAK

Q-0

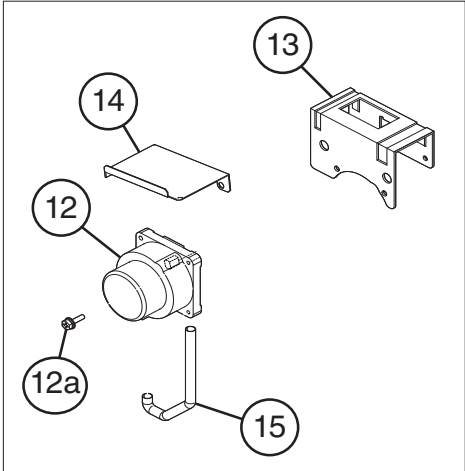
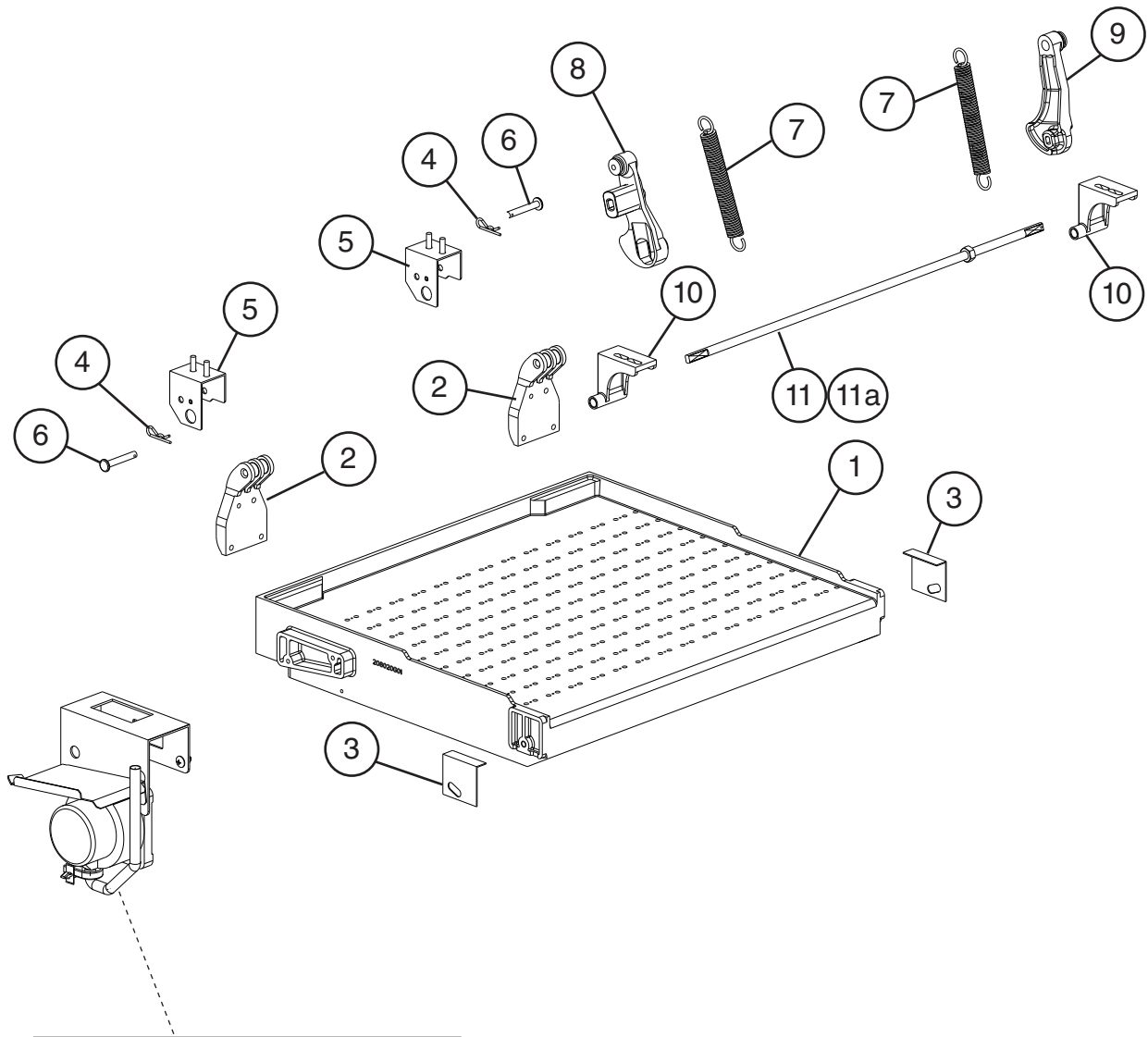
2/2



Title: A. Main Assembly & Refrigeration Circuit Model: IM-544SAK												
Index No.	Description	Material or Model Number	Part Number	Required Number								
				Q-0								
<b>Main Assembly</b>												
1	Front Panel Assembly (includes 1 of item 4 and 5)		2B1694A01	1								
2	Front Insulation Separator		4Y6575P02	1								
3	Right Side Panel (includes 1 of item 4 and 5)		3B0091A01	1								
4	Louver		2A6649A02	2								
5	Air Filter		2A2063G01	2								
6	Left Side Panel (includes item 4 and 5)		3B0095G01	1								
7	Separator		483781G01	1								
8	Top Panel		1A5445-01	1								
9	Chassis Insulation (refrigeration circuit base)		476401P01	1								
10	Shield A		377294P01	1								
10a	Shield Plate		477674M01	2								
11	Shield B		377296P01	1								
11a	Shield Plate		477674M01	4								
12	Cube Guide		3B0321-01	1								
12a	Thumbscrew		415949G10	2								
13	Control Box Cover		376269M01	1								
14	Connector Guide A		312762-01	1								
15	Connector Guide B		4H5619-01									
16	Upper Rear Panel		3B2225G01	1								
17	Lower Rear Panel		3B0094G01	1								
18	Junction Box Cover		433410-01	1								
19	Mechanical Bin Control		2A8598G01	1								
19a	Thumbscrews		415949G10	2								
20	Bin Control Mounting Bracket		3B1485-01	1								
20a	Screw		7P32-0408	2								
21	Gasket(Frame)	1055 mm	4A0808L02	2								
22	Gasket (Frame)	490 mm	4A0808L02	1								
23	Gasket (Frame)	50 mm	4A0808L02	1								
24	Gasket (Frame)	650 mm	4A0808L02	1								
25	Gasket (Frame)	120 mm	4A0808L02	1								
26	Gasket (Frame)	530 mm	4A0808L02	2								
27	Gasket (Frame)	620 mm	4A0808L02	3								
28	Gasket (Frame)	1080 mm	4A0808L02	2								

Title: A. Main Assembly & Refrigeration Circuit Model: IM-544SAK												
Index No.	Description	Material or Model Number	Part Number	Required Number								
				Q-0								
<b>Refrigeration Circuit</b>												
29	Compressor		4A7935-01	1								
30	Start Relay		4A7952-01	1								
31	Run Capacitor	30MFD 400VAC	4A7951-01	1								
32	Start Capacitor	340-408MFD, 165VAC	4A7950-01	1								
33	Condenser		2B1076-01	1								
34	Fan Motor		4A3158-01	1								
35	Fan Blade		4A3959-01	1								
36	Fan Motor Bracket		3A0828-01	1								
37	Evaporator		2H7526G01	1								
37a	Collar		3H3879-01	4								
37b	Screw		4Y4922M02	4								
37c	Washer		7W22-0600	4								
37d	Hex Flange Nut		7J02-0600	4								
38	Thermistor	SP-5683	P00350-01	1								
38a	Thermistor Holder		315479-01	1								
39	Thermostatic Expansion Valve		4A7497-07	1								
40	Thermostatic Expansion Valve Cover		4A7233-01	1								
41	Thermostatic Expansion Valve Bulb Holder		4A7659-02	1								
42	Clamp		4A7759-01	1								
43	Hot Gas Valve Body		4A3978-01	1								
44	Hot Gas Coil		4A3277-01	1								
44a	Bolt		4A3277F01	1								
45	Strainer		441569-04	1								
46	High-Pressure Switch		4A6039-01	1								
47	Heat Exchanger		386557G01	1								
48	Drier		4A1113-01	1								

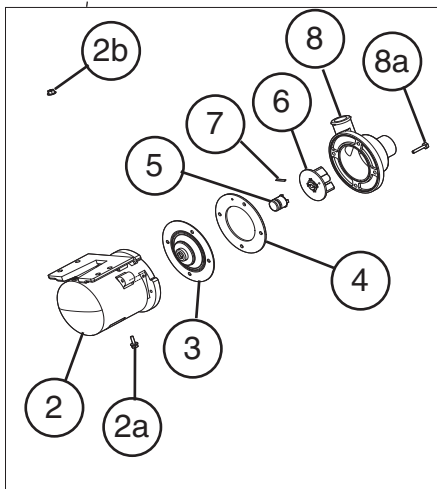
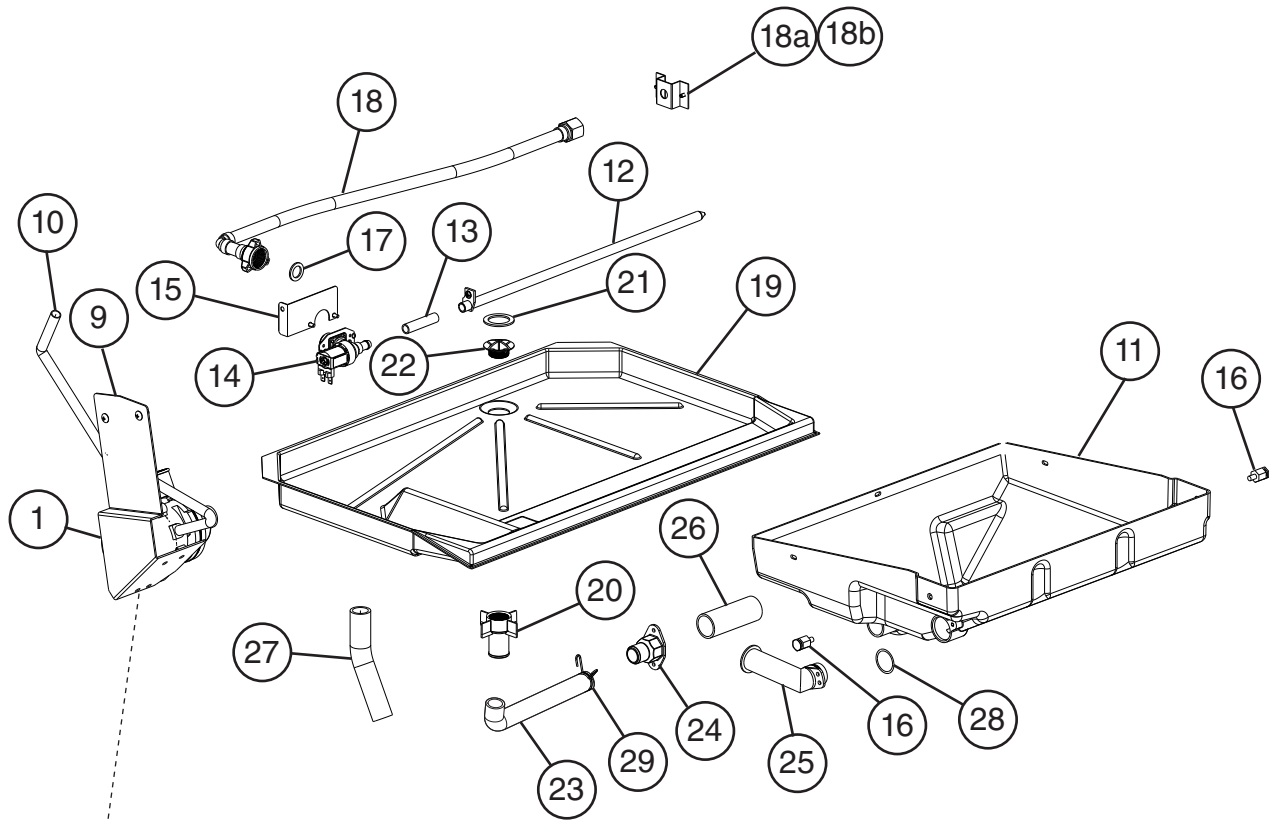
**B. Mechanism Assembly**  
**IM-544SAK**  
 Q-0



**Actuator Motor Assembly**

Title: B. Mechanism Assembly Model: IM-544SAK												
Index No.	Description	Material or Model Number	Part Number	Required Number								
				Q-0								
1	Water Plate		208020G01	1								
2	Water Pan Hanger		3H2059-01	2								
3	Water Pan Bracket		402957-01	2								
4	Snap In		8907-0106	2								
5	Bearing Plate		3H1440G03	2								
6	Shaft B		4H1184-02	2								
7	Spring		4H3473-01	2								
8	Cam A		306543G04	1								
9	Cam B		376546P01	1								
10	Cam Shaft Bearing		3X8307-02	2								
11	Cam Shaft		425511G02	1								
11a	Cotter Pin		8907-0107	1								
12	Actuator Motor		P02382-01	1								
12a	Hex Head Bolt	6x20	FBK0620S0	2								
13	Actuator Motor Bracket		3Y3992M02	1								
14	Actuator Motor Shield		476684M01	1								
15	Actuator Motor Tube		8104-0003	1								

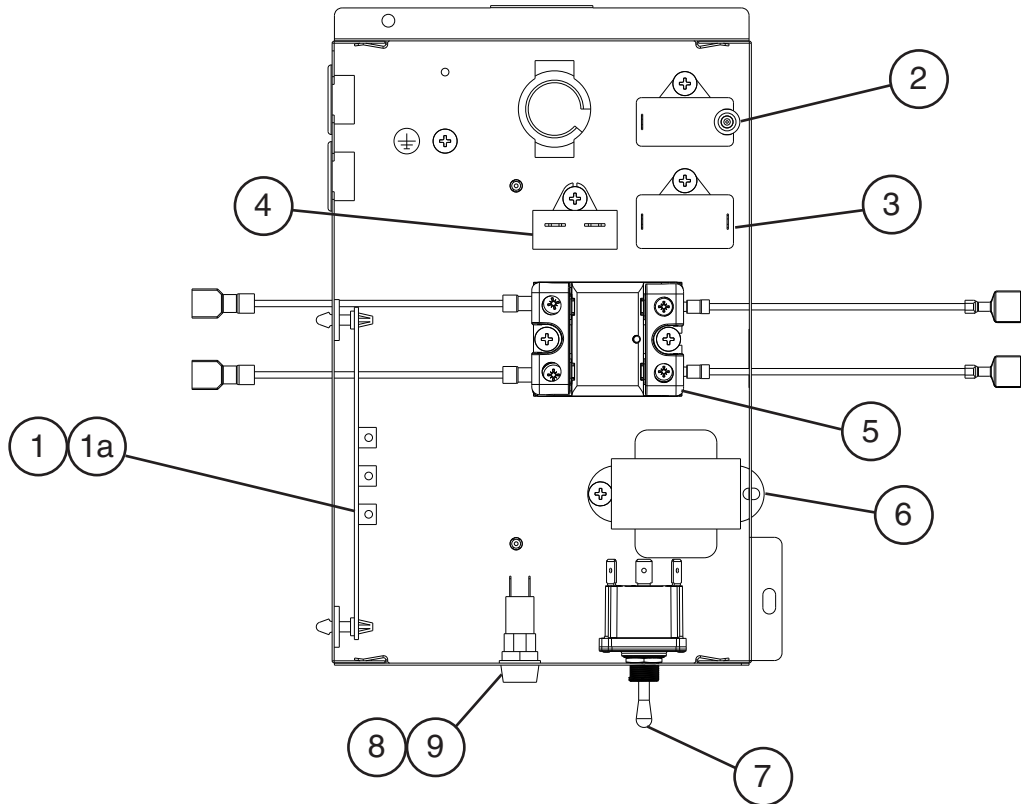
**. Water Circuit**  
**IM-544SAK**  
Q-0



**Pump Motor Assembly**

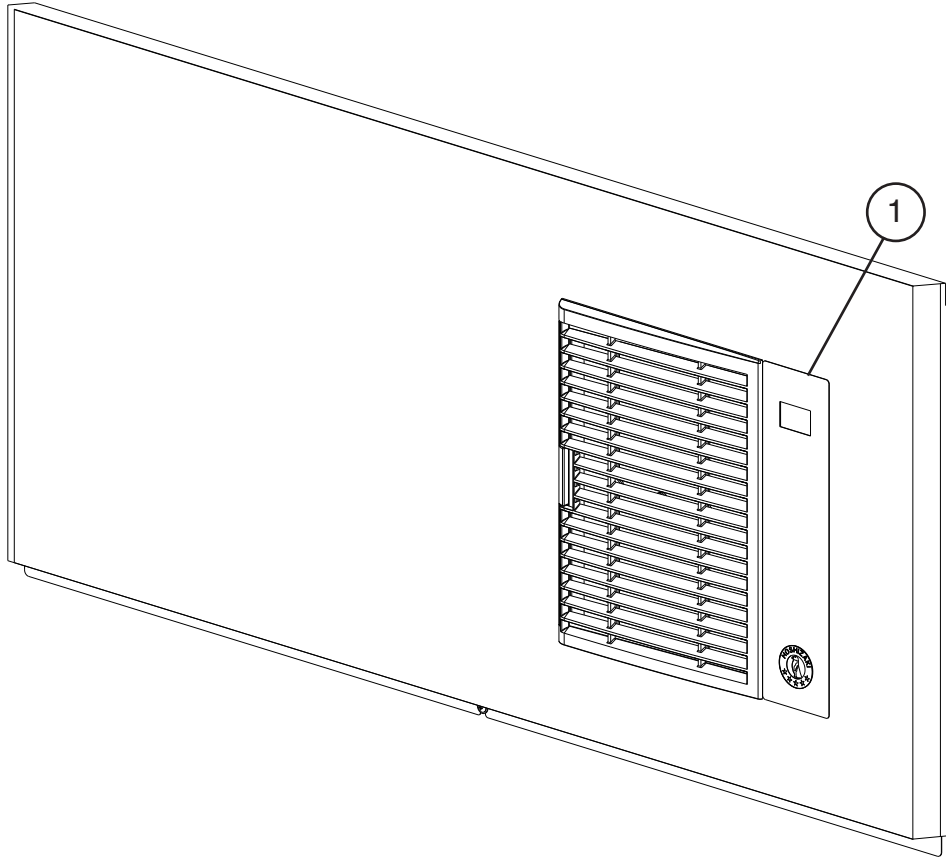
Title: C. Water Circuit    Model: IM-544SAK												
Index No.	Description	Material or Model Number	Part Number	Required Number								
				Q-0								
1	Pump Motor Assembly (includes items 2 through 8a)		2B1033A01	1								
2	Pump Motor		2A2758-01	1								
2a	Hex Head Bolt		7B0230512	4								
2b	Flange Nut		7J02-0400	4								
3	Pump Flange		3A2988-01	1								
4	Pump Gasket		4A2974-01	1								
5	Mechanical Seal		465627-03	1								
6	Impeller		433522-01	1								
7	Pin		4A0648-01	1								
8	Pump Housing		1A5054-01	1								
8a	Screw	4x20	4A3871-01	4								
9	Pump Motor Bracket		3B1921-01	1								
10	Pump Motor Tube		8104-0004	1								
11	Water Pan		1H0888-02	1								
12	Water Supply Pipe		376015G01	1								
13	Silicone Hose	55 mm	7730B3812	1								
14	Inlet Water Valve	<b>SP-5616</b>	4A6722-03	1								
15	Inlet Water Valve Bracket		476431M01	1								
16	Boss Holder		4H2582G01	2								
17	Rubber Gasket		413854-03	1								
18	Water Supply Pipe A		2B1041A01	1								
18a	Fitting Holder		4A4968-02	1								
18b	Screw		7C32-0408	2								
19	Drain Pan		208186-01	1								
20	Drain Pipe		429770-01	1								
21	Packing		413857-02	1								
22	Drain Flange		418294-01	1								
23	Hose B		436599-01	1								
24	Drain Fitting		4A5527-02	1								
25	Drain Pipe		315530-01	1								
26	Suction Tube	85 mm	7716B2732	1								
27	Discharge Tube	145 mm	7716B2025	1								
28	O-Ring		4A4755-06	1								
29	Hose Clamp		427443-08	1								

**D. Control Box Assembly**  
**IM-544SAK**  
 Q-0



Title: D. Control Box Assembly		Model: IM-544SAK		Required Number										
Index No.	Description	Material or Model Number	Part Number	Q-0										
1	Control Board		P01873-05	1										
1a	Control Board Support		P04204-01	4										
2	Fan Motor Capacitor	5.0MDF, 250VAC	4A6435-02	1										
3	Pump Motor Capacitor	5.5MFD, 250VAC	4A6435-03	1										
4	Actuator Motor Capacitor	0.8MFD, 450VAC	P06515-01	1										
5	Compressor Relay		4A7681-02	1										
6	Control Transformer		3A4395-01	1										
7	Toggle Switch		4A7449-01	1										
8	Fuse Holder		P02829-01	1										
9	Fuse	AGC-5A, 250VAC	P04203-01	1										

**E. Accessories & Labels**  
**IM-544SAK**  
 Q-0



Title: E. Accessories & Labels    Model: IM-544SAK													
Index No.	Description	Material or Model Number	Part Number	Required Number									
				Q-0									
1	Operation Label		376391L01	1									
2	Mounting Bracket		4A6437-01	2									
3	Hex Head Bolt	5x12	7B0230512	2									