



HOSHIZAKI

Parts List

Modular Crescent Cuber

Models

KM-330MAK

KM-530MAK

KM-730MAK



CONTENTS

Auxiliary Codes.....	3
A. Main Assembly and Refrigeration Circuit.....	4
B. Water Circuit	7
C. Control Box Assembly	9
D. Accessories & Labels	11

Auxiliary Codes

KM-330MAK

R-0 January 2026

KM-530MAK

Q-0 October 2025

R-0 January 2026

KM-730MAK

TBD

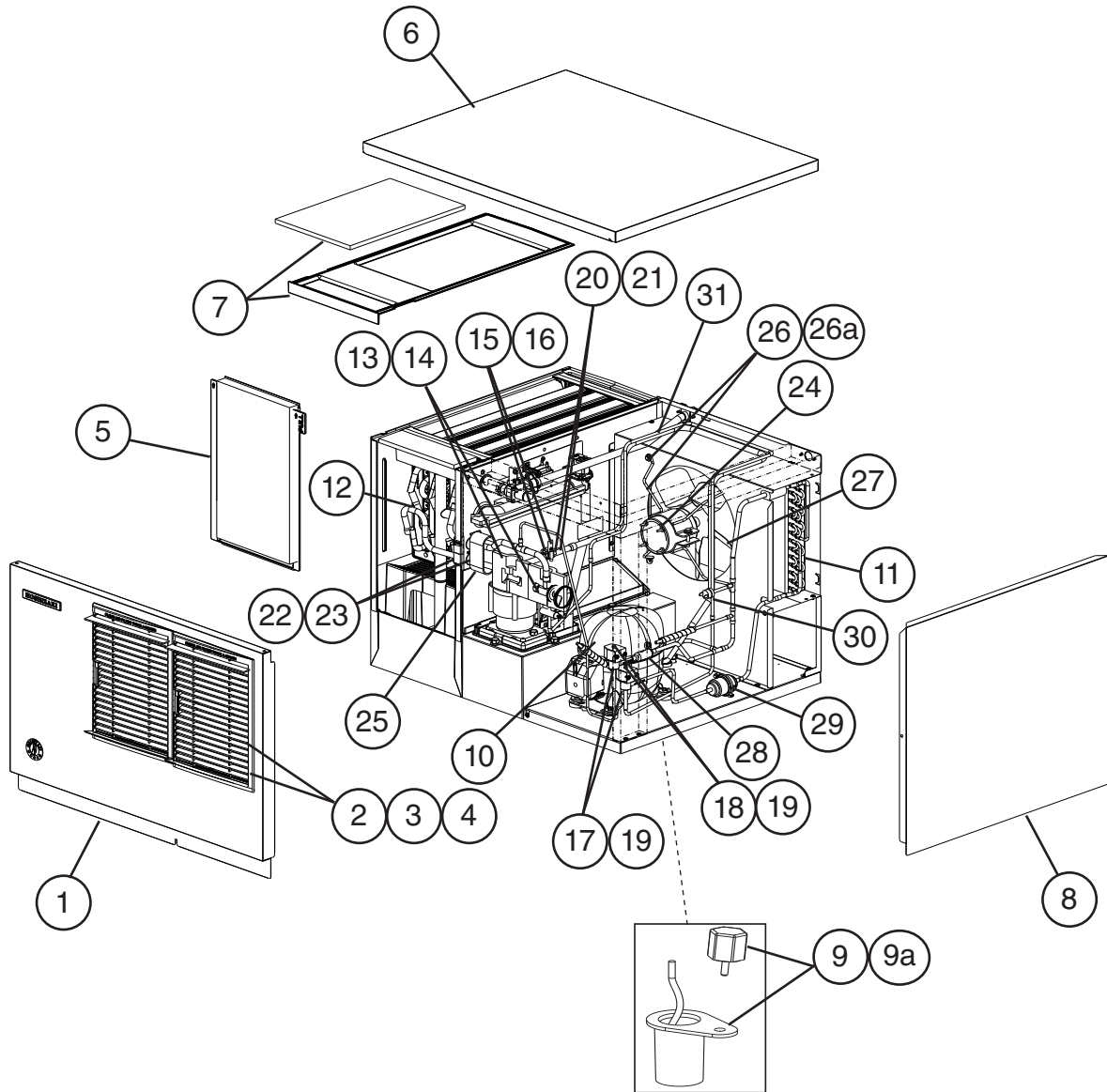
Auxiliary Code Breakdown

The auxiliary code is the first two characters in the serial number. The first character indicates the year. Years progress or regress in alphabetical order. The series runs from "A" through "V" and the letters "I" and "O" are skipped. The second character indicates significant part changes within a year. Base is "0" and this number advances for each change. In cases where there is a letter in parentheses, this designates the month. This is the last character in the serial number. The series runs from "(A)" through "(M)" and the letter "(I)" is skipped. This designation is only included when identifying a parts change within an auxiliary code.

Note About Ordering Parts

Most assemblies cannot be ordered as complete units; parts in the assemblies generally must be ordered separately.

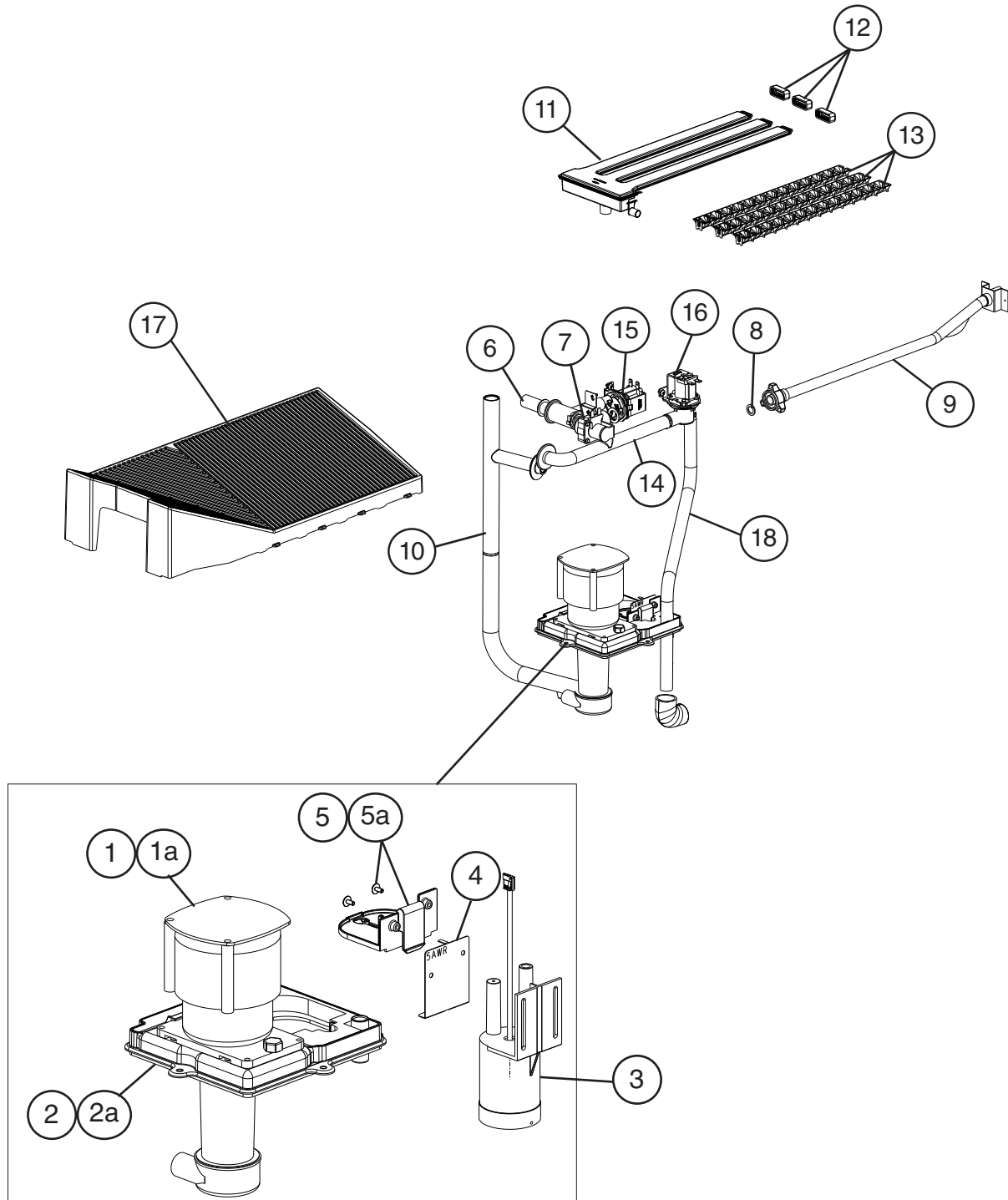
A. Main Assembly and Refrigeration Circuit
KM-330MAK, KM-530MAK, KM-730MAK
Q-0, R-0



Title: A. Main Assembly and Refrigeration Circuit Model: KM-330MAK, KM-530MAK, KM-730MAK												
Index No.	Description	Material or Model Number	Part Number	Required Number								
				Q-0								
Main Assembly												
1	Front Panel Assembly (includes items 2 and 3)	KM-330MAK	1A8410A01	1								
		KM-530MAK										
		KM-730MAK	1A8492A01	1								
2	Louver (includes 1 of item 3)		2A6649A02	2								
3	Louver		1A0548-01	1								
4	Air Filter		2A2063G01	2								
5	Front Insulation	KM-330MAK	3B1229G01	1								
		KM-530MAK										
		KM-730MAK	3B1229G02	1								
6	Top Panel		2B1906A01	1								
7	Top Insulation		3B1227G01	1								
8	Right Side Panel	KM-330MAK	2B0305-01	1								
		KM-530MAK										
		KM-730MAK	2B0305-02	1								
9	Ultrasonic Bin Control		4A6148G01	1								
9a	Screw		7C32-0410	1								
Refrigeration Circuit												
10	Compressor	KM-330MAK	4A8004-01	1								
		KM-530MAK	4A7600-01	1								
		KM-730MAK	4A7808-01	1								
11	Condenser-Air	KM-330MAK	2B1819-01	1								
		KM-530MAK	2B1788-01	1								
		KM-730MAK	2B1880-01	1								
12	Evaporator	KM-330MAK	2B0213A01	1								
		KM-530MAK										
		KM-730MAK	2B0213A02	1								
13	Thermostatic Expansion Valve	KM-330MAK	4A7497-07	1								
		KM-530MAK	4A7497-06	1								
		KM-730MAK										
14	Thermostatic Expansion Valve Cover		4A7233-01	1								
15	Thermostatic Expansion Valve Bulb Holder		4A7659-02	1								
16	Hose Clamp		4A7759-01	1								
17	Hot Gas Valve Body		4A3978-01	1								
18	Liquid Line Valve Body		4A3276-01	1								
19	Valve Coil with Bolt		4A3277-01	2								
20	Thermistor	SP-5672	429006-03	1								
21	Thermistor Holder		427430-01	1								
22	Rubber Insulation A		3A9637-01	1								
23	Rubber Insulation B		3A9638-01	1								

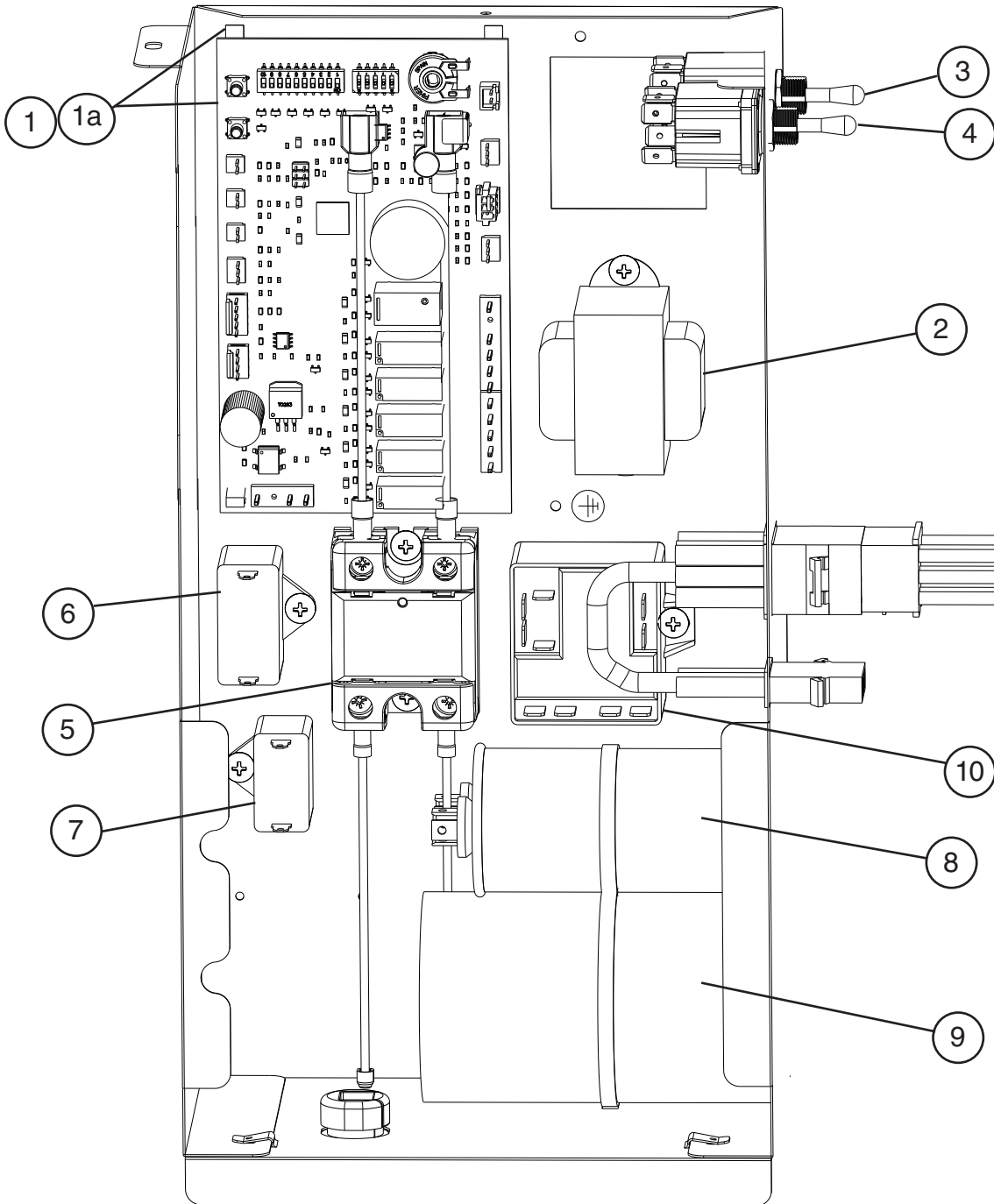
Title: A. Main Assembly and Refrigeration Circuit Model: KM-330MAK, KM-530MAK, KM-730MAK												
Index No.	Description	Material or Model Number	Part Number	Required Number								
				Q-0	R-0							
24	Fan Motor	KM-330MAK KM-530MAK (5KPM84DFK1)	4A3158-01	1								
		KM-730MAK	4A7957-01	1								
25	Insulation		436671-01	1								
26	Fan Motor Bracket	KM-330MAK KM-530MAK	2A9618-01	1								
		KM-730MAK	4A7964-01	1								
26a	Hex Bolt	5x12	7B0130512	4								
27	Fan Blade	KM-330MAK KM-530MAK	4A4014-01	1								
		KM-730MAK	4A0197-01	1								
28	Strainer		441569-04	1								
29	Drier		4A1113-01	1								
30	High-Pressure Switch		4A6039-01	1								
31	Heat Exchanger	KM-330MAK KM-530MAK	2B1765G01	1								
		KM-730MAK	2B1885G01	1								

B. Water Circuit
KM-330MAK, KM-530MAK, KM-730MAK
Q-0, R-0



Title: B. Water Circuit Model: KM-330MAK, KM-530MAK, KM-730MAK												
Index No.	Description	Material or Model Number	Part Number	Q-0 R-0	Required Number							
1	Pump Motor		4A4259-01	1								
1a	Thumbscrew		415949G10	1								
2	Pump Cover Assembly		3B1500G01	1								
2a	Thumbscrew		415949G10	2								
3	Float Switch Assembly		4A7077G01	1								
4	Float Switch Stop Bracket	KM-330MAK	4A7446-01	1								
		KM-530MAK										
		KM-730MAK	4A7446-05	1								
5	Float Switch Bracket		4A7442-01	1								
5a	Screw		7P32-0408	2								
6	Water Supply Tee		3A9429-01	1								
7	Inlet Water Valve		3U0111-02	1								
8	Rubber Gasket		413854-03	1								
9	Water Supply Pipe		4A0768G12	1								
10	Water Hose		2B0208G02	1								
11	Spray Tube/Water Supply Tube		1A6720G01	1								
12	Cap		4A6394-01	3								
13	Spray Guide		2A4282-03	3								
14	Bypass Hose		3A9544-01	1								
15	Cleaning Valve		4A5745-01	1								
16	Drain Valve		4A5745-03	1								
17	Cube Guide (A)		1A6698-01	1								
18	Drain Hose Assembly		434808-01	1								
19	Drain Plug (not shown)		4A7186-01	1								

C. Control Box Assembly
KM-330MAK, KM-530MAK, KM-730MAK
Q-0, R-0

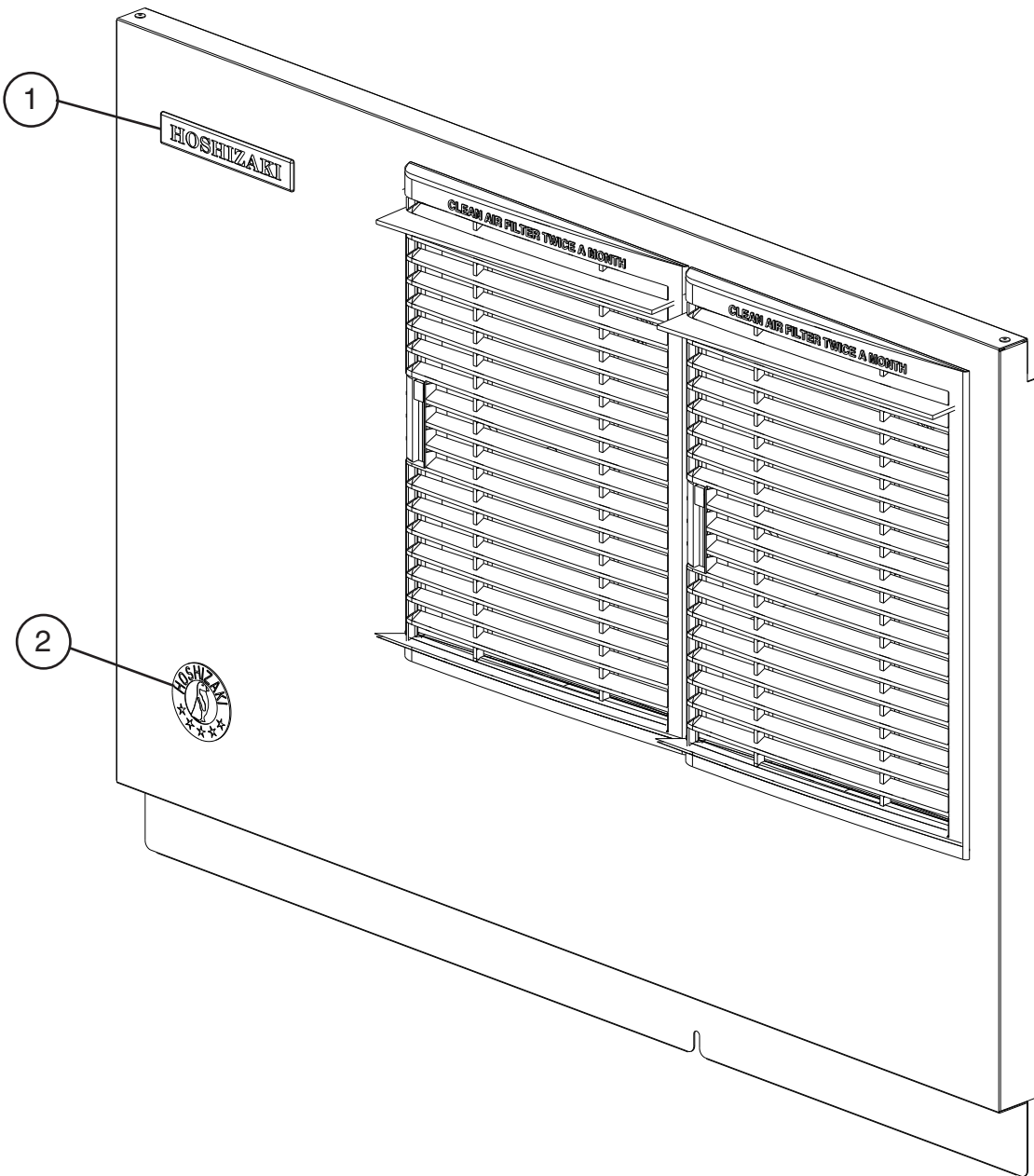


Title: C. Control Box Assembly Model: KM-330MAK, KM-530MAK, KM-730MAK												
Index No.	Description	Material or Model Number	Part Number	Q-0 R-0	Required Number							
1	Control Board		2A9678-03	1								
1a	Control Board Support		4A0336-03	4								
2	Control Transformer		3A0172-01	1								
3	Mode Switch		4A7449-04	1								
4	Control Switch		4A7449-01	1								
5	Compressor Relay		4A7681-02	1								
6	Pump Motor Capacitor	5.5MFD, 250VAC	4A6435-02	1								
7	Fan Motor Capacitor	KM-330MAK KM-530MAK 5.0MFD, 250VAC	4A2128-05	1								
8	Run Capacitor	KM-330MAK KM-530MAK 30MFD, 440VAC	3A2005-14	1								
		KM-730MAK 40MFD, 440VAC	3A2005-07	1								
9	Start Capacitor	KM-330MAK KM-530MAK 243-292MFD 250VAC	3A0076-21	1								
		KM-530MAK KM-730MAK 340-408MFD 250VAC	3A0076-24	1								
10	Start Relay		4A7587-01	1								

D. Accessories & Labels

KM-330MAK, KM-530MAK, KM-730MAK

Q-0, R-0



D. Accessories & Labels Model: KM-330MAK, KM-530MAK, KM-730MAK											
Index No.	Description	Material or Model Number	Part Number	Required Number							
				Q-0	R-0						
1	Hoshizaki Emblem		4A0560-01	1							
2	Penguin Label		475552L02	1							
3	Universal Brace		4A0363-01	2							
3a	Hex Head Bolt	5x12, SS	7B02-0512	2							