



HOSHIZAKI

Parts List

Modular Crescent Cuber

Models

KM-830MAK2



hoshizakiamerica.com

Number: 71472
Issued: 4-23-2026

CONTENTS

Auxiliary Codes.....	3
A. Main Assembly and Refrigeration Circuit.....	4
B. Water Circuit	6
C. Control Box Assembly	9
D. Accessories & Labels	11

Auxiliary Codes

KM-830MAK2

R-0 January 2026

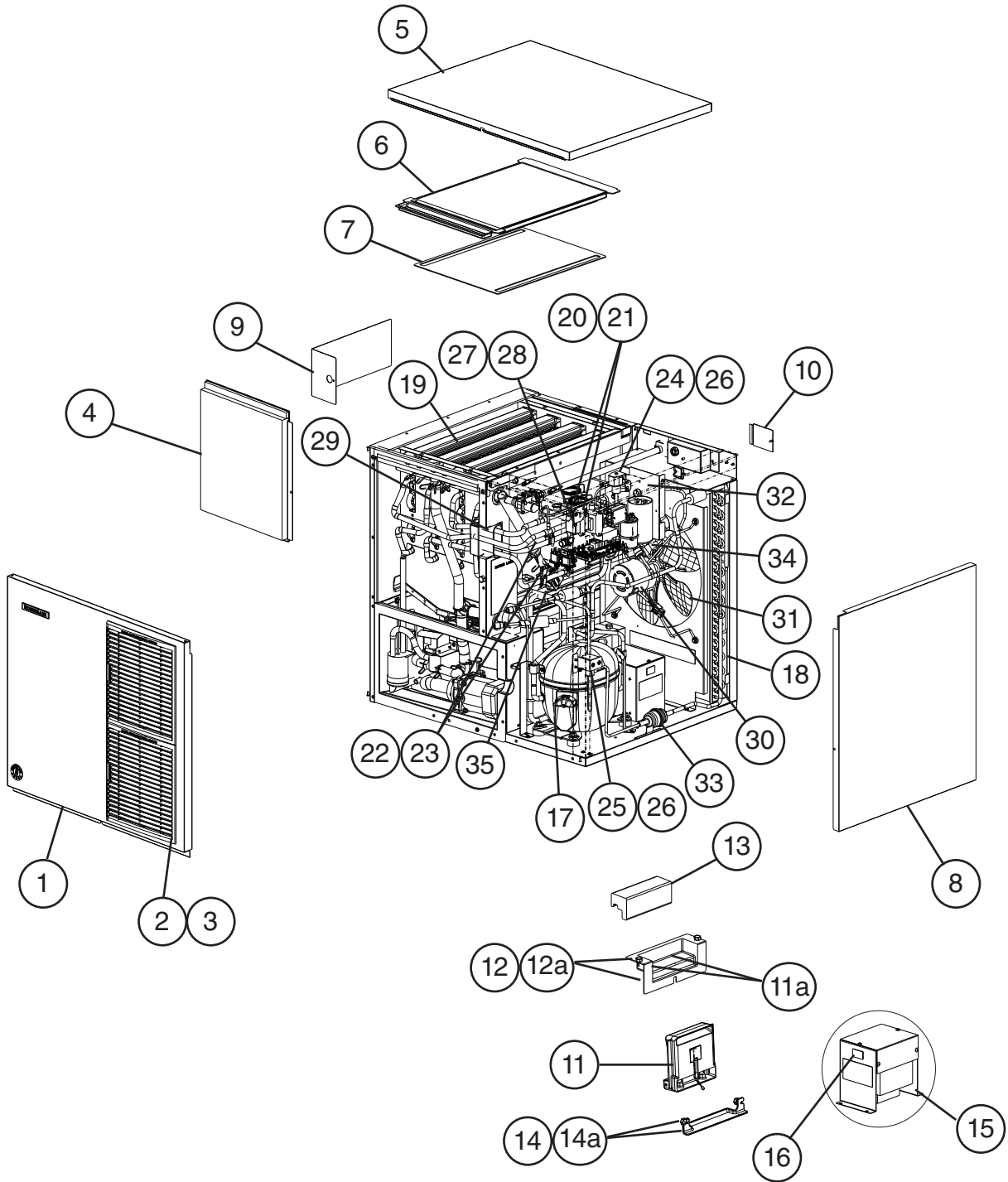
Auxiliary Code Breakdown

The auxiliary code is the first two characters in the serial number. The first character indicates the year. Years progress or regress in alphabetical order. The series runs from "A" through "V" and the letters "I" and "O" are skipped. The second character indicates significant part changes within a year. Base is "0" and this number advances for each change. In cases where there is a letter in parentheses, this designates the month. This is the last character in the serial number. The series runs from "(A)" through "(M)" and the letter "(I)" is skipped. This designation is only included when identifying a parts change within an auxiliary code.

Note About Ordering Parts

Most assemblies cannot be ordered as complete units; parts in the assemblies generally must be ordered separately.

A. Main Assembly and Refrigeration Circuit
KM-830MAK2
 R-0

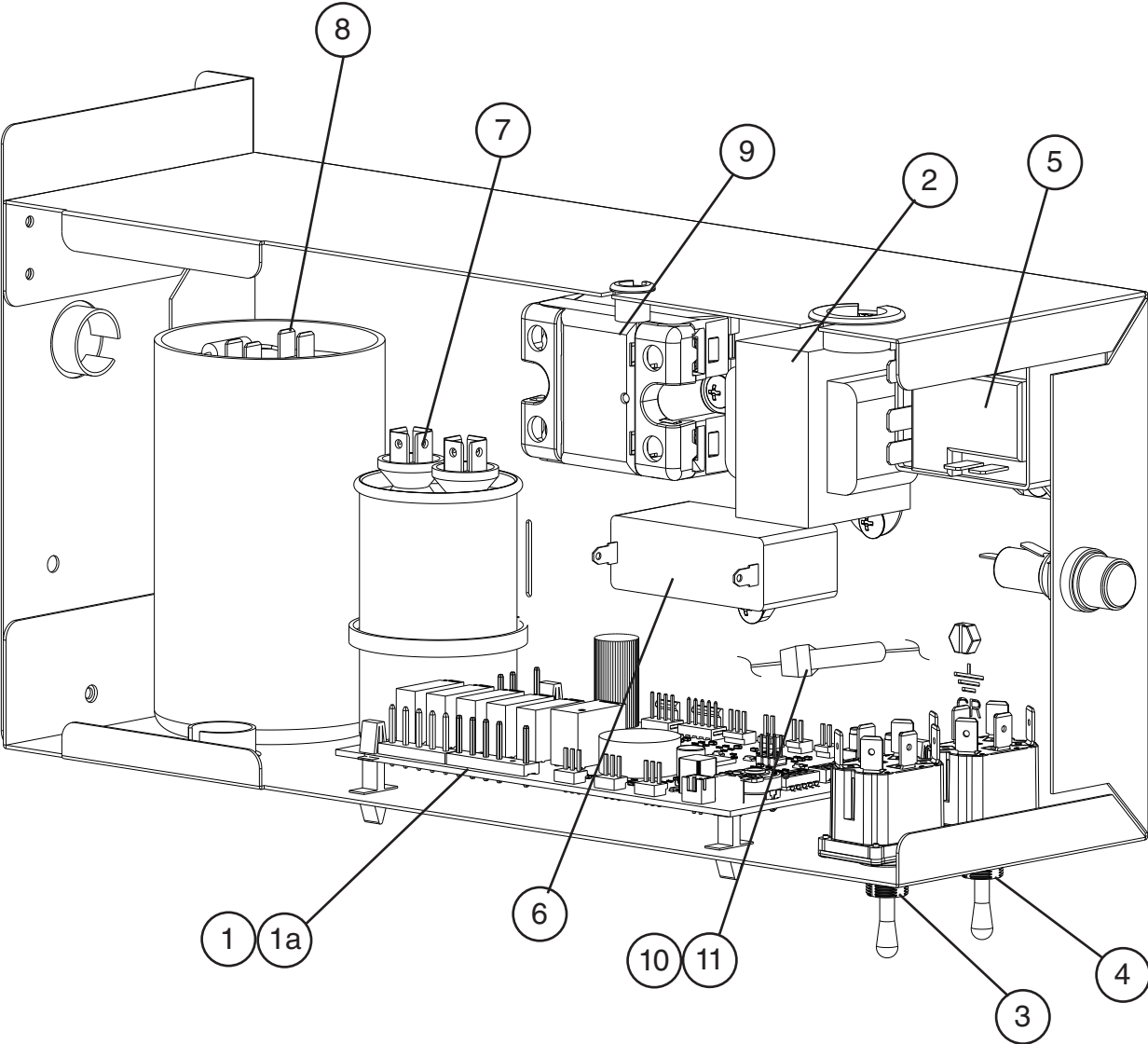


Title: A. Main Assembly and Refrigeration Circuit Model: KM-830MAK2												
Index No.	Description	Material or Model Number	Part Number	Required Number								
				R-0								
Main Assembly												
1	Front Panel Assembly (includes items 2)		1A8477A01	1								
2	Louver Assembly (includes item 3)		2A6649A02	2								
3	Air Filter		2A2062G01	2								
4	Front Insulation		3A2933G01	1								
5	Top Panel		2A2955G01	1								
6	Top Insulation		3A2934G01	1								
7	Top Cover		3A2922-01	1								
8	Right Side Panel		2B2037G01	1								
9	Control Box Cover		3A2371-01	1								
10	Junction Box Cover		433410-01	1								
11	Mechanical Bin Control		2A8598G01	1								
11a	Thumbscrew		415949G10	2								
12	Switch Cover		3A2642-01	1								
12a	Thumscrew		415949G10	2								
13	Switch Cover Insulation		4A3068-01	1								
14	Switch Guide		3A2643-01	1								
14a	Thumbscrew		415949G10	2								
15	Main Transformer		4A5695-01	1								
16	Voltage Tap Switch		4A1477-01	1								
Refrigeration Circuit												
17	Compressor		4A7809-01	1								
18	Condenser-Air		2B1820-01	1								
19	Evaporator		1A4623G01	1								
20	Thermostatic Expansion Valve		4A7497-07	2								
21	Thermostatic Expansion Valve Cover		4A7233-01	2								
22	Thermostatic Expansion Valve Bulb Holder		4A7659-02	2								
23	Hose Clamp		4A7759-01	2								
24	Hot Gas Valve Body		4A3978-01	1								
25	Liquid Line Valve Body		4A3276-01	1								
26	Valve Coil with Bolt		4A3277-01	2								
27	Thermistor		429006-03	1								
28	Thermistor Holder		427430-01	1								
29	Rubber Insulation		436671-01	1								
30	Fan Motor		4A7957-01	1								
31	Fan Blade		4A0197-01	1								
32	Strainer		441569-04	1								
33	Drier		4A1113-01	1								
34	High-Pressure Switch		4A6039-01	1								
35	Heat Exchanger		3B2530G01	1								

Title: B. Water Circuit Model: KM-830MAK2											
Index No.	Description	Material or Model Number	Part Number	Required Number							
				R-0							
1	Pump Motor Assembly (includes items 2 through 9)	SP-0178	2A2848A01	1							
2	Pump Motor		4A7462-01	1							
3	Pump Flange		215662-01	1							
3a	Hex Bolt		7B02-0640	4							
3b	Tooth Washer		7R22-0600	2							
3c	Flat Washer		7W22-0600	4							
3d	Split Lock Washer		7L22-0600	4							
3e	Hex Nut		7N12-0600	4							
4	Mechanical Seal		4A3820-03	1							
5	Packing		428547-01	1							
6	Impeller		428548-01	1							
7	Pin		4A0648-01	1							
8	Pump Housing		2A2762-01	1							
8a	Hex Bolt	4x30, SS	7B02-0430	4							
8b	Hex Flange Nut		7J02-0400	4							
9	Pump Motor Bracket		323904-01	1							
10	Water Supply Pipe		4A0768G08	1							
11	Rubber Gasket		413854-03	1							
12	Inlet Water Valve		3U0111-01	1							
13	Water Valve Hose		3A2648-01	1							
13a	Flange		439267-01	1							
13b	Insulation (E)		4A0392-01	1							
14	Left Spray Tube		2A2369-01	1							
15	Right Spray Tube		2A2369-02	1							
16	Spray Guide		2A4282-03	4							
17	Spray Tube Plug		3A2645-01	4							
18	Float Switch Assembly		4A7077G01	1							
19	Float Switch Connector		426799-03	1							
20	Float Switch Hose		3A2647-01	1							
21	Float Switch Stop		3A9769-02	1							
22	Drain Valve		4A5447-01	1							
22a	Drain Valve Bracket		3A2686-01	1							
23	Drain Hose		4A3002-01	1							
24	Overflow Cap		321002-01	1							
25	Overflow Drain Hose		4A3003-01	1							
26	Overflow O-Ring		4A1234-01	1							
27	Overflow Pipe		430722-10	1							
28	Suction Hose		4A3001-01	1							
29	Male Adapter		4A7351-01	2							
30	Distributor (Tee)		432426-01	2							
31	Flow Reducer		4A5767-01	1							
32	Silicone Hose	L=180 mm	7730I3896	1							
33	Vinyl Hose	L=358 mm	7716B2025	1							
34	Vinyl Hose	L=63 mm	7716B2025	2							
35	Bypass Hose		439237-03	1							
36	Vinyl Hose	L=47 mm	7730-1519	1							
37	Pump Motor Drain Hose		4A3044-01	1							

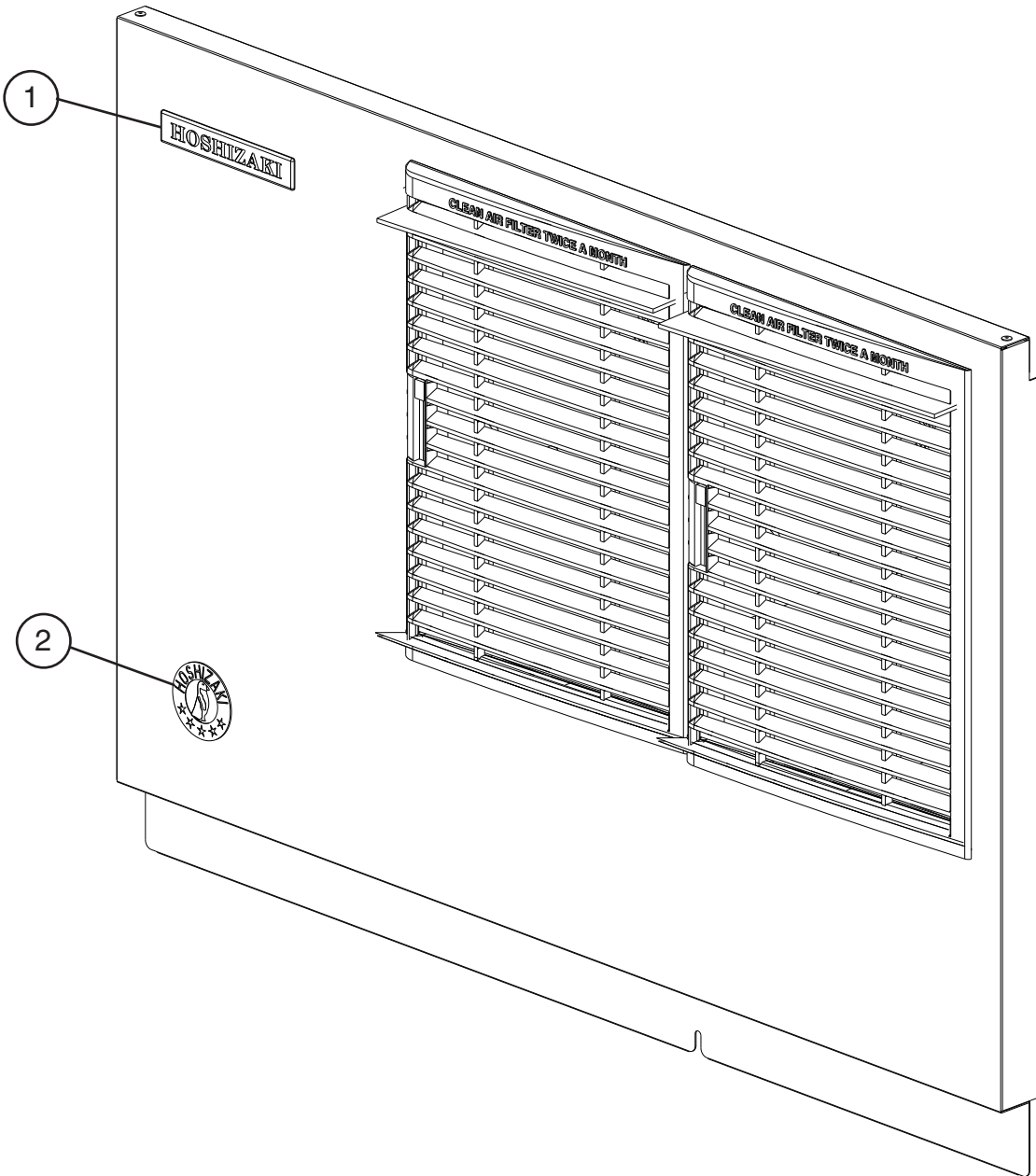
Title: B. Water Circuit Model: KM-830MAK2												
Index No.	Description	Material or Model Number	Part Number	Required Number								
				R-0								
38	Drain Plug		309246-01	1								
39	Drain O-Ring		7611-P015	1								
40	Left Water Supply Tube		2A2370-02	1								
41	Right Water Supply Tube		2A2370-01	1								
42	Cube Guide A		1A0842-01	1								
43	Cube Guide B		1A0781-01	1								
43a	Thumbscrew		415949G10	1								
44	Discharge Hose		3A2646-01	1								
45	Splash Shield		4A6883-01	1								
46	Water Shield		3A2725G01	1								
47	Cleaning Valve		4A5745-06	1								
48	Corner Insulation (A)		439376-01	1								
49	Corner Insulation (B)		439392-01	1								
50	Vinyl Hose	L=50 mm	7716B1216	1								
51	Vinyl Hose	L=130 mm	7716B1216	1								
Hose Clamps												
52	Hose Clamp		4A2017-02	1								
53	Hose Clamp	25 mm	427443-03	10								
54	Hose Clamp	18 mm	427443-05	6								
55	Hose Clamp	20 mm	427443-06	3								
56	Hose Clamp	15-17 mm	4A2017-07	1								

C. Control Box Assembly
KM-830MAK2
R-0



Title: C. Control Box Assembly Model: KM-830MAK2												
Index No.	Description	Material or Model Number	Part Number	Required Number								
				R-0								
1	Control Board		2A9678-03	1								
1a	Control Board Support		4A0336-03	4								
2	Control Transformer		3A0172-01	1								
3	Control Switch		4A7449-01	1								
4	Mode Switch		4A7449-04	1								
5	Compressor Relay		4A7681-02	1								
6	Pump Motor Capacitor	15MFD, 240VAC	439705-01	1								
7	Run Capacitor	20MFD, 440VAC	3A2005-01	1								
8	Start Capacitor	108-130MFD 330VAC	3A0076-22	1								
9	Start Relay		4A7587-02	1								
10	Fuse Holser		4A5443-01	1								
11	Fuse		4A0893-07	1								

D. Accessories & Labels
KM-830MAK2
 R-0



D. Accessories & Labels Model: KM-830MAK2					Required Number							
Index No.	Description	Material or Model Number	Part Number	R-0								
1	Hoshizaki Emblem		4A0560-01	1								
2	Penguin Label		475552L02	1								
3	Universal Brace		4A0363-01	2								
3a	Hex Head Bolt	5x12, SS	7B02-0512	2								