



HOSHIZAKI

Parts List

Steelheart Series
Refrigerated Kitchen Equipment

Models
PR67B-Z



hoshizakiamerica.com

Number: 71461
Issued: 9-15-2025
Revised: 5-4-2026

CONTENTS

Auxiliary Codes.....	3
Note About Ordering Parts	3
A. Main Assembly	4
B. Refrigeration Circuit.....	6
C. Door-Right Hinged.....	8
D. Door-Left Hinged	9
E. Accessories & Labels	10

Auxiliary Codes

PR67B-Z

Q-5 January 2025

R-6 April 2026

Auxiliary Code Breakdown

The auxiliary code is the first two characters in the serial number. The first character indicates the year. Years progress or regress in alphabetical order. The series runs from "A" through "V" and the letters "I" and "O" are skipped. The second character indicates significant part changes within a year. Base is "5" and this number advances for each change. In cases where there is a letter in parentheses, this designates the month. This is the last character in the serial number. The series runs from "(A)" through "(M)" and the letter "(I)" is skipped. This designation is only included when identifying a parts change within an auxiliary code.

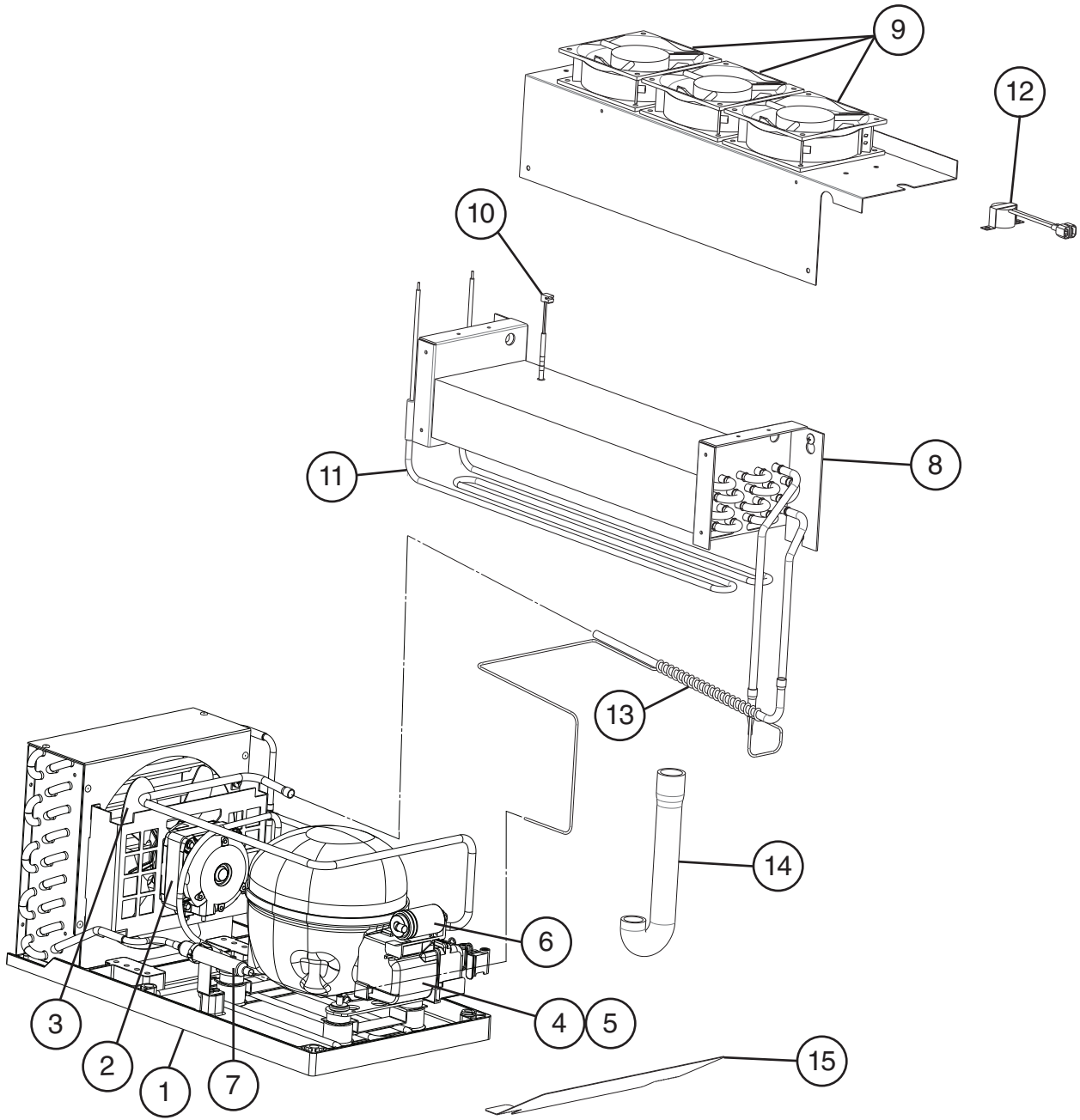
Note About Ordering Parts

Most assemblies cannot be ordered as complete units; parts in the assemblies generally must be ordered separately.

Title: A. Main Assembly Models: PR67B-Z

Index No.	Description	Material or Model Number	Part Number	Q-5 to R-6	Required Number									
1	Front Panel (Includes 2 and 3)		3B2328G01	1										
2	Louver		103344-07	1										
3	Air Filter		208840G03	1										
4	Left Side Panel		2A9985-01	1										
5	Rear Louver Panel		3B0980-01	1										
6	Rear Cover		3B2262-01	1										
7	Bumper		3A6696-01	2										
8	Wire Harness (includes power supply cord)		2B1633-01	1										
9	Rail/Refrigeration Control Module (includes items 9a and 9b)		4A7852G01	1										
9a	Retainer Clip		4A7085-01	2										
9b	Control Module Gasket		4A7127-01	1										
10	Cabinet Fan Motor Control Module (includes items 10a and 10b)		4A7999-01	1										
10a	Retainer Clip		4A7085-01	2										
10b	Control Module Gasket		4A7127-01	1										
11	Deflector		3B2330-01	1										
12	Cabinet Thermistor		4A7084-01	1										
13	Cabinet Fan Relay		4A7047-01	1										
14	Cabinet Fan		4A6192-01	1										
14a	Cabinet Fan Cover		3B2616-01	1										
14b	Wire Cover (not shown)		3B2618-01	1										
15	Evaporator Shroud		1A6423-02	1										
16	Pilaster		4A5583-01	8										
17	Shelf		3A2830-12	4										
18	Shelf Clip		4A5418-01	16										
19	Rail Duct		1A8248-01	1										
20	Rail Duct Bushing		420470-12	4										
21	Thumbscrew		415949G08	2										
22	Speed Grate		2B1131-01	3										
23	Catch Tray Cover		2B1471A01	3										
24	Catch Tray		2B1473A01	3										
25	Speed Grate Bracket		3B2050-01	2										
26	Rail Cover		1A8247A01	2										

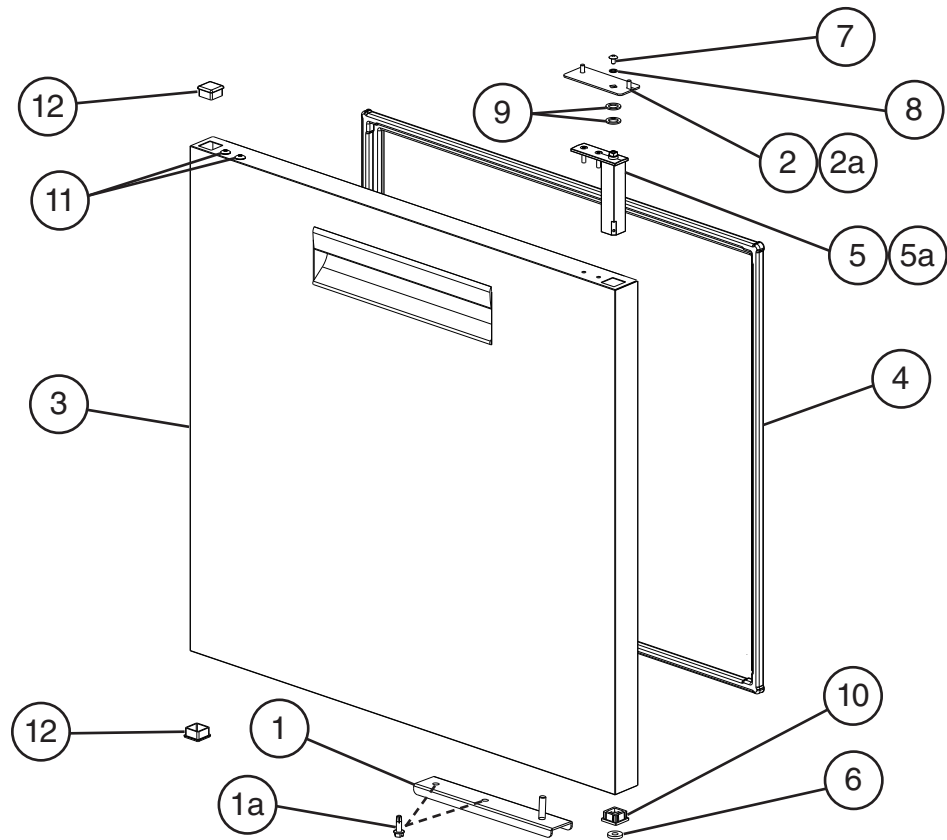
B. Refrigeration Circuit
PR67B-Z
Q-5 to R-6



For compressor or condenser replacement, order item 1.

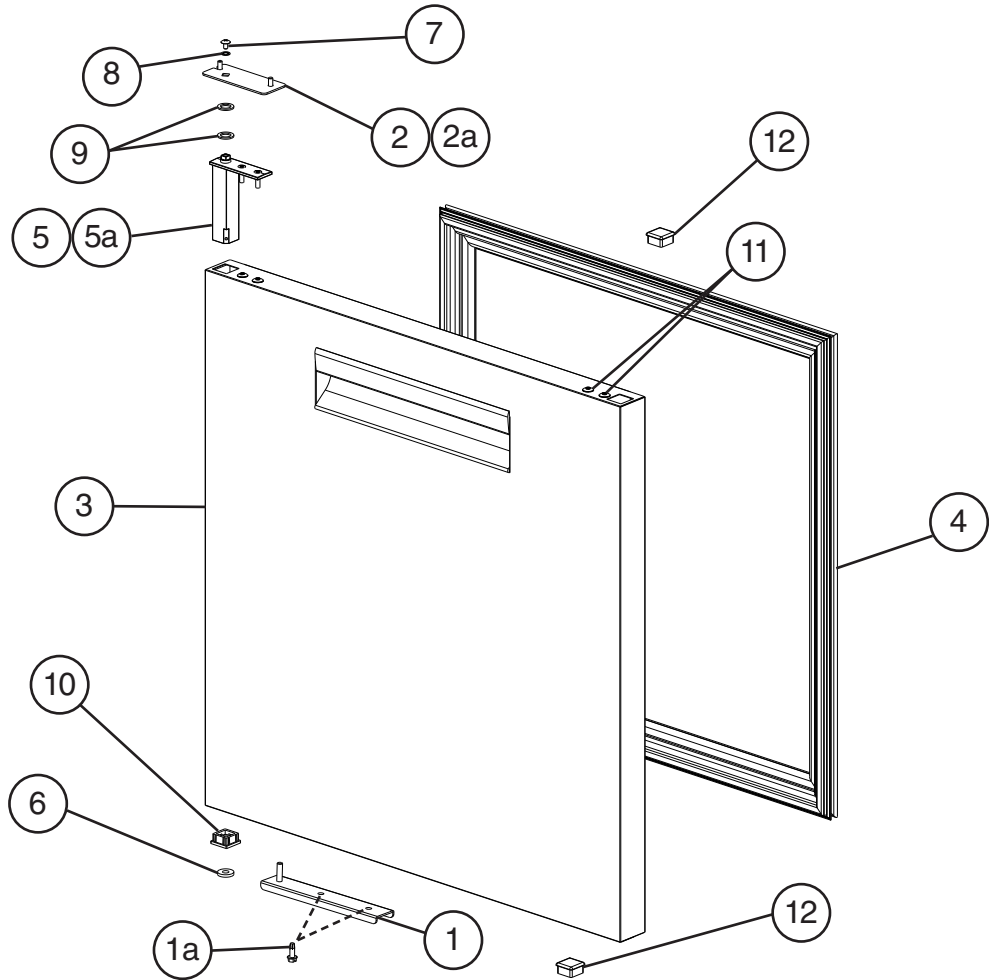
Title: B. Refrigeration Circuit Models: PR67B-Z												
Index No.	Description	Material or Model Number	Part Number	Q-5 to R-6	Required Number							
1	Condensing Unit (includes compressor, condenser, and items 2 through 7; compressor and condenser are not sold individually)		3B0992-01	1								
2	Condenser Fan Motor		4A7104-01	1								
3	Condenser Fan Blade		3A6799-01	1								
4	Compressor External Protector		3B0897-01	1								
5	Start Relay		3A9476-01	1								
6	Run Capacitor		3B0898-01	1								
7	Drier		4A5576-01	1								
8	Evaporator		2B0101-01	1								
9	Evaporator Fan Motor		4A6192-01	3								
10	Defrost Thermistor		4A7083-01	1								
11	Defrost Heater		3B0457-01	1								
12	Defrost Safety Thermostat		4A6194-01	1								
13	Heat Exchanger		3B1039G01	1								
14	Drain Hose		3B0477-01	1								
15	Drip Ramp		3B0835-01	1								

C. Door-Right Hinged
PR67B-Z
 Q-5 to R-6



Title: C. Door-Right Hinged Models: PR67B-Z					Required Number Per Section								
Index No.	Description	Material or Model Number	Part Number	Q-5 to R-6									
1	Lower Hinge Bracket		3A6681G01	1									
1a	Hex Head Tapping Bolt		4A5213-01	2									
2	Upper Hinge Bracket		3A6810-01	1									
2a	Truss Head Screw		7C32-0512	2									
3	Door Assembly (includes items 4 through 12)		2A9409G01	1									
4	Gasket		2A6996-10	1									
5	Hinge Spring Cartridge (includes items 6 through 10)		3A9206-01	1									
5a	Countersunk Screw		7C42-0520	2									
6	Thrust Washer		4A5234-01	1									
7	Screw		4A5230-01	1									
8	Lock Washer		4A5231-01	1									
9	Thrust Washer		4A5233-01	2									
10	Bearing		4A5232-01	1									
11	Truss Head Screw (filler screws)		7C32-0510	2									
12	End Cap		4A5432-01	2									

D. Door-Left Hinged
PR67B-Z
 Q-5 to R-6

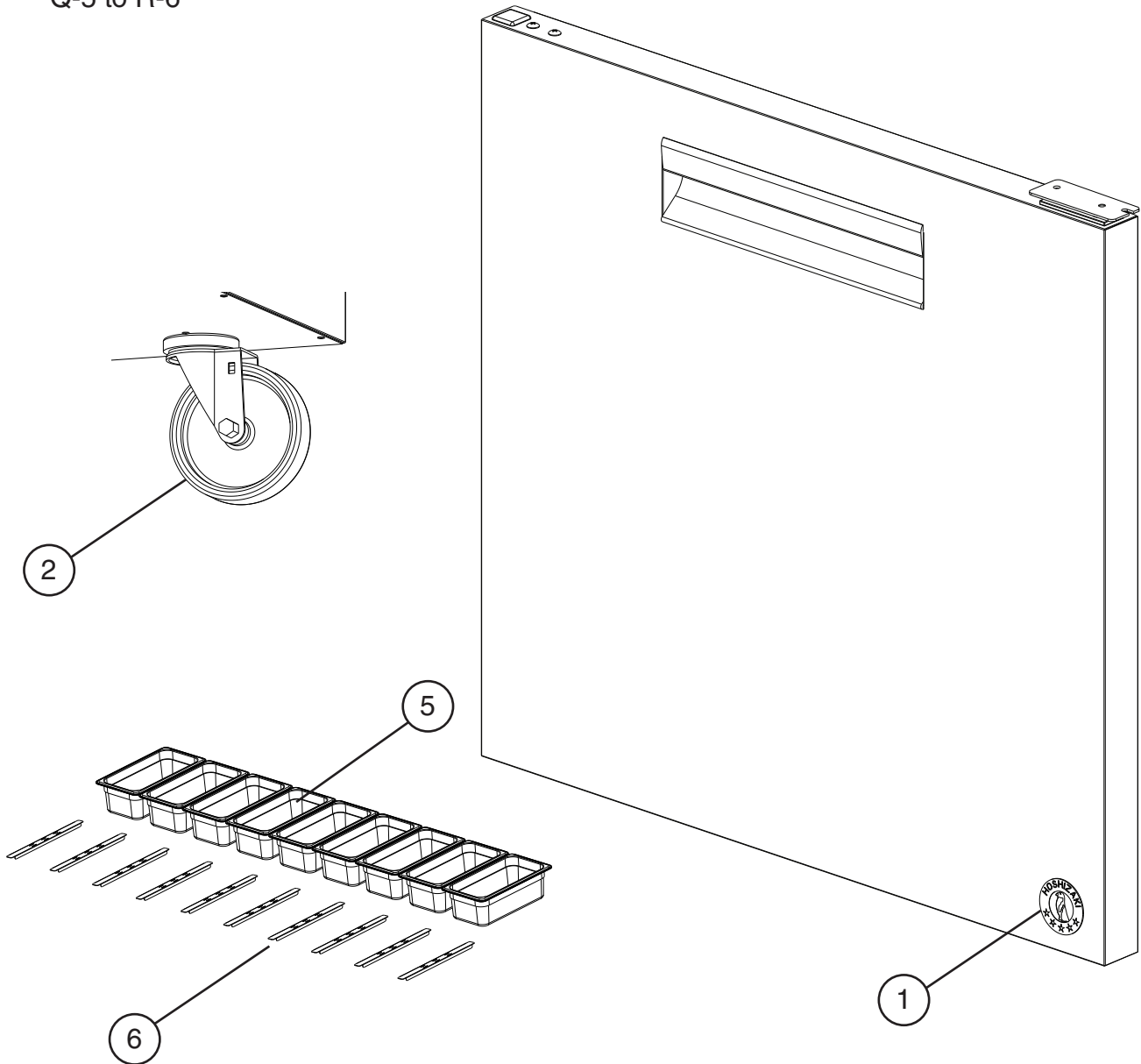


Title: D. Door-Left Hinged Models: PR67B-Z					Required Number Per Section														
Index No.	Description	Material or Model Number	Part Number	Q-5 to R-6															
					1	Lower Hinge Bracket		3A6681G01	1										
1a	Hex Head Tapping Bolt		4A5213-01	2															
2	Upper Hinge Bracket		3A6810-01	1															
2a	Truss Head Screw		7C32-0512	2															
3	Door Assembly (includes items 4 through 12)		2A9411G05	1															
4	Gasket		2A6996-10	1															
5	Hinge Spring Cartridge (includes items 6 through 10)		3A9206-01	1															
5a	Countersunk Screw		7C42-0520	2															
6	Thrust Washer		4A5234-01	1															
7	Screw		4A5230-01	1															
8	Lock Washer		4A5231-01	1															
9	Thrust Washer		4A5233-01	2															
10	Bearing		4A5232-01	1															
11	Truss Head Screw (filler screws)		7C32-0510	2															
12	End Cap		4A5432-01	2															

E. Accessories & Labels

PR67B-Z

Q-5 to R-6



Title: E. Accessories & Labels Models: PR67B-Z					Required Number															
Index No.	Description	Material or Model Number	Part Number	Q-5 to R-6																
					1	Penguin Label		475552L01	1											
2	6" Caster Kit (includes 2 of items 3 and 4)		4A5435A01	1																
3	6" Non-Locking Caster		4A5428-01	2																
4	6" Locking Caster		4A5428-02	2																
5	1/3 Size Pan, 4" Depth		1000000351	9																
6	Pan Divider		3A4934-03	10																