

VALIANCE®

by



**HOSHIZAKI**

## Parts List

VUF60A  
VWF60A

## TABLE OF CONTENTS

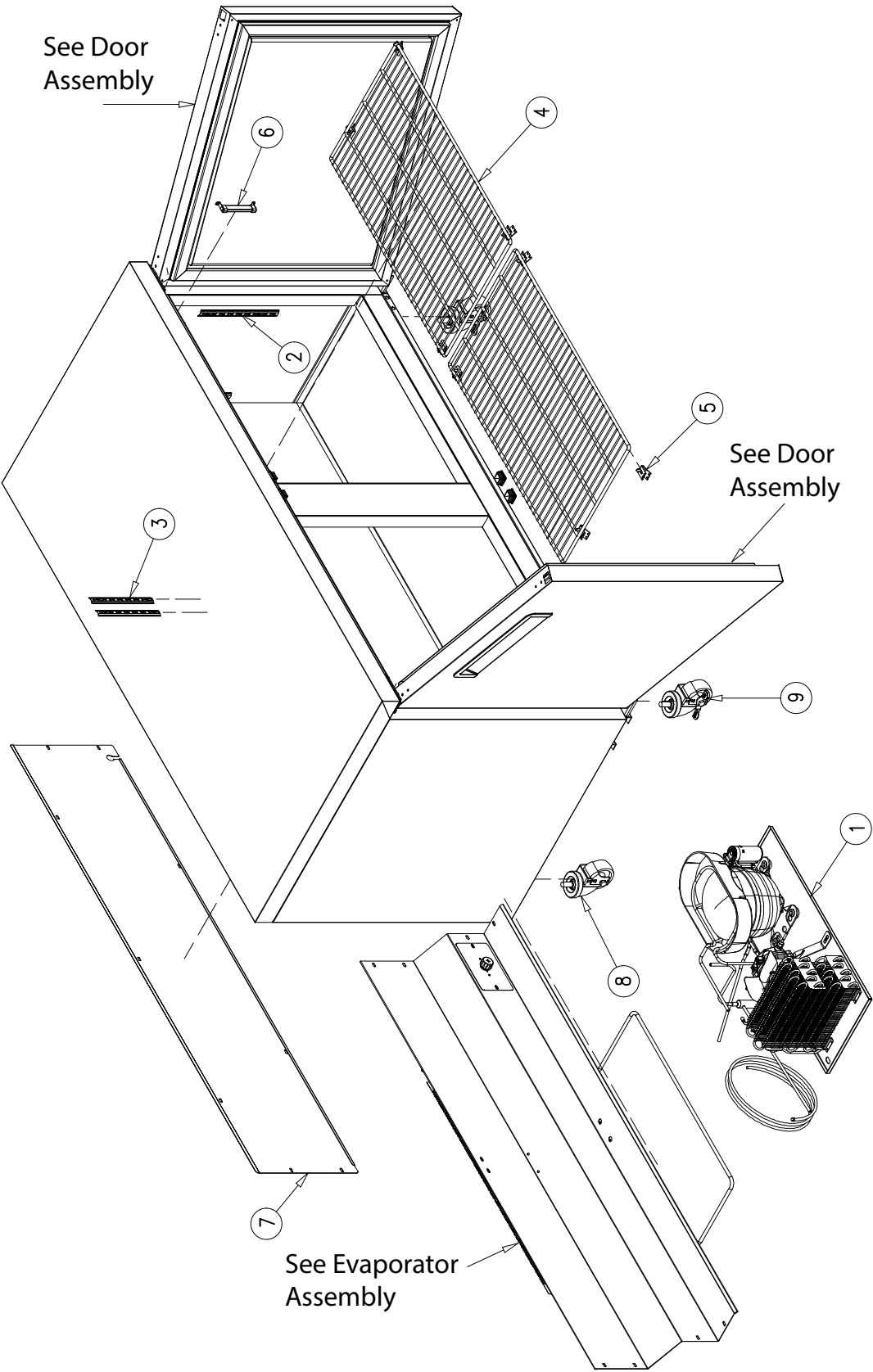
MAIN ASSEMBLY .....	3
EVAPORATOR ASSEMBLY .....	5
CONDENSING UNIT ASSEMBLY .....	7
DOOR ASSEMBLY .....	9

**NOTE:**

*To order spare parts, always include the following information:*

- *Model Number* \_\_\_\_\_
- *Serial Number* \_\_\_\_\_

# MAIN ASSEMBLY

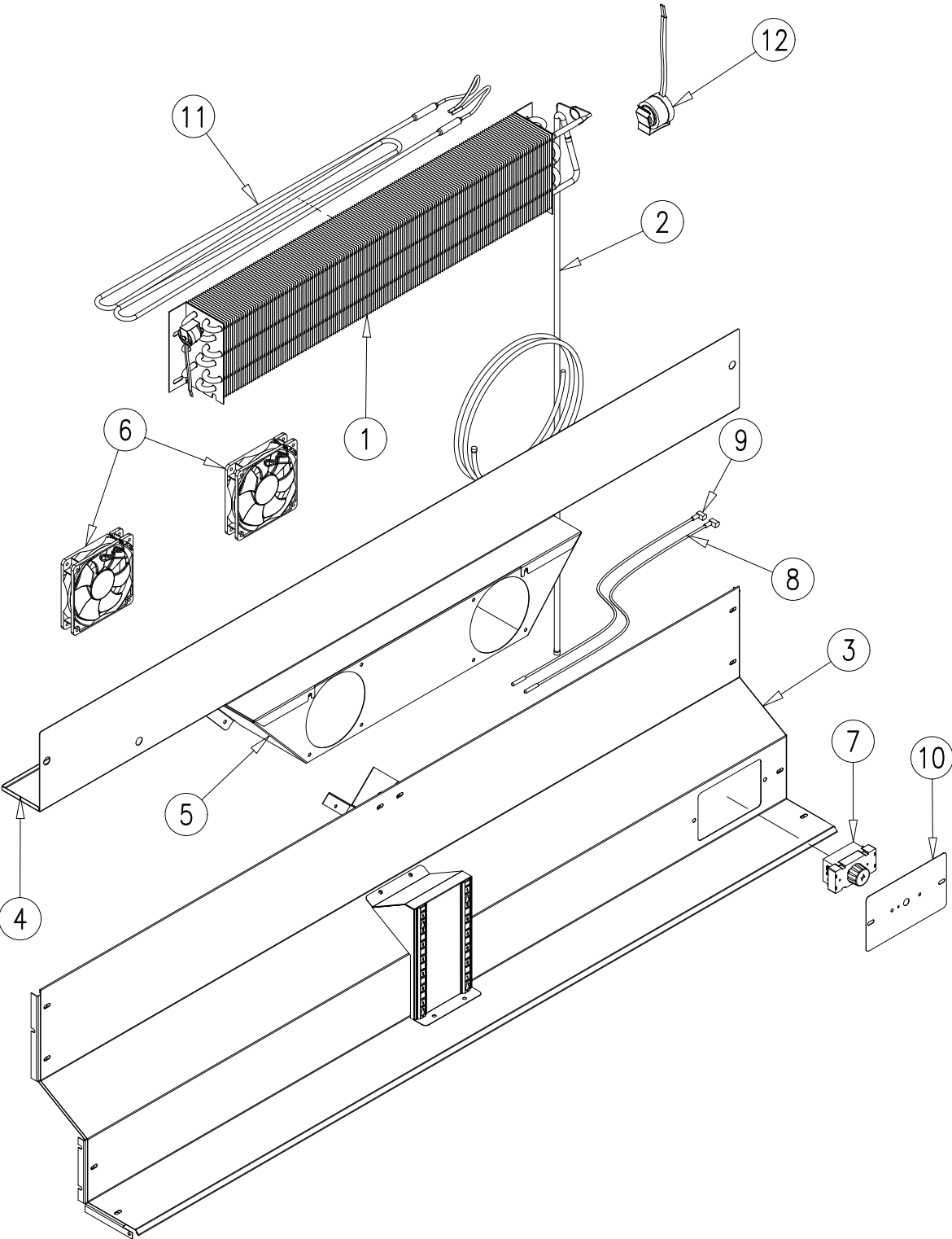


# MAIN ASSEMBLY

---

<i>Item No.</i>	<i>Description</i>	<i>Part No.</i>	<i>Quantity per unit</i>
1	CONDENSING UNIT ASSEMBLY	UN-0515	1
2	SIDE PILASTER (233 mm)	PI-74-48-233	6
3	REAR PILASTER (193 mm)	PI-74-48-193	2
4	FLAT SHELF	SH-0613-HD-GR	2
5	SHELF CLIPS	CL-51-SS-E	8
6	THERMOMETER	TH-1-E	1
7	REAR PANEL	25735	1
8	BACK NON-LOCKING CASTER (VUF60A)	CA-4	2
	(VWF60A)	CA-23	2
9	FRONT LOCKING CASTER (VUF60A)	CA-4-BR	2
	(VWF60A)	CA-23-BR	2

# EVAPORATOR ASSEMBLY



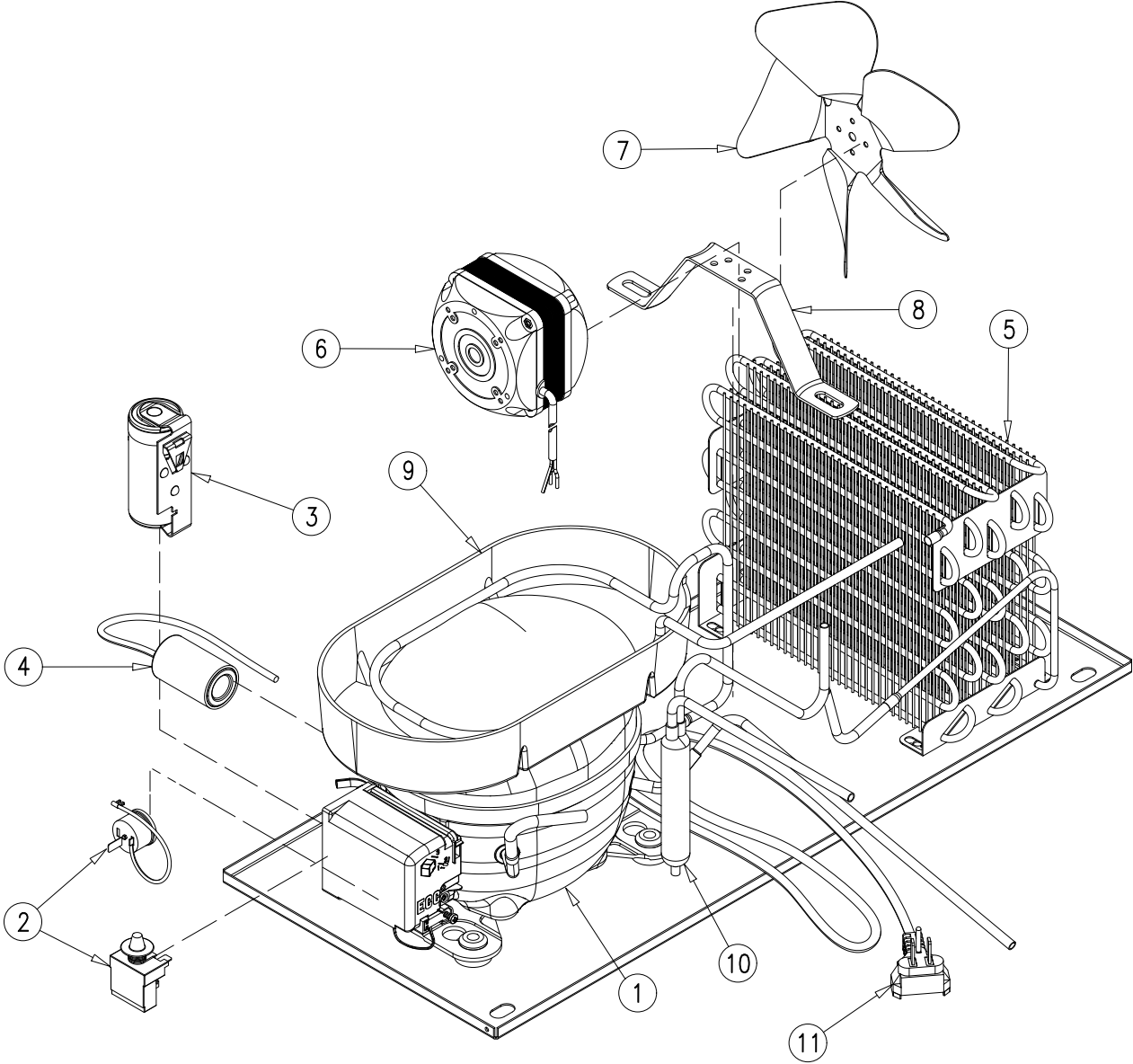
# EVAPORATOR ASSEMBLY

---

<i>Item No.</i>	<i>Description</i>	<i>Part No.</i>	<i>Quantity per unit</i>
1	EVAPORATOR	CO-477-EC	1
2	HEAT EXCHANGER	TUB-1216	1
3	SHROUD	25806	1
4	EVAPORATOR SUPPORT	25726	1
5	EVAPORATOR FAN MOTOR BRACKET	25725	1
6	EVAPORATOR FAN MOTOR	FA-125-SW-0396	2
7	CONTROL MODULE	CT-197-CO-345-K*	1
8	CABINET THERMISTOR	CT-180-3-CO	1
9	DEFROST THERMISTOR	CT-180-4-CO	1
10	CONTROL MODULE BRACKET	25968	1
11	DEFROST HEATER	EL-238-A-477	1
12	DEFROST SAFETY THERMOSTAT	CT-11-R-EM-3171	1

\* THE PART NUMBER CT-197-CO-345-K INCLUDES:  
CONTROL MODULE CT-197-CO-345  
CONTROL MODULE HARNESS AR-7114  
CABINET THERMISTOR CT-180-3-CO  
DEFROST THERMISTOR CT-180-4-CO

# CONDENSING UNIT ASSEMBLY

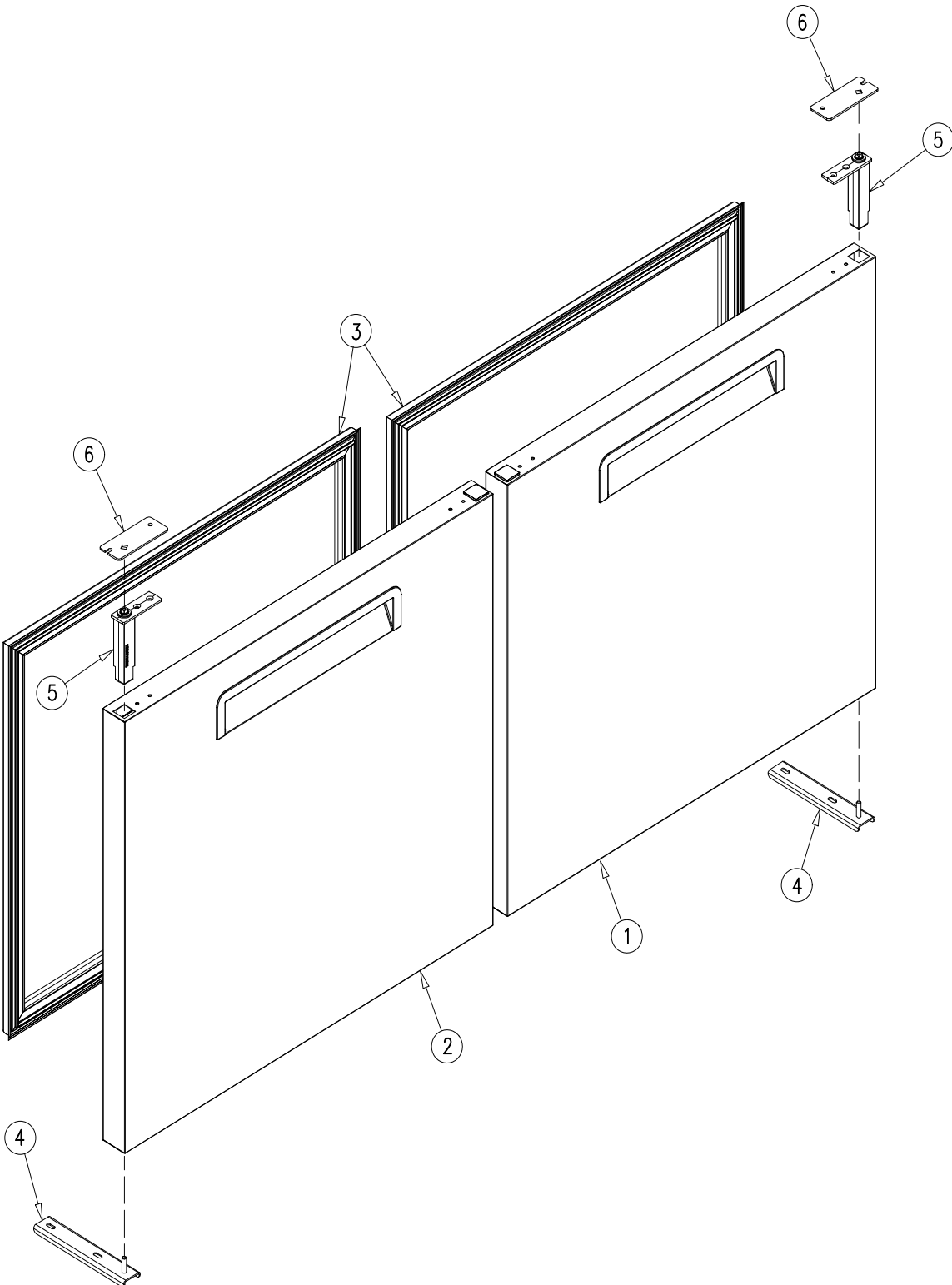


# CONDENSING UNIT ASSEMBLY

---

<i>Item No.</i>	<i>Description</i>	<i>Part No.</i>	<i>Quantity per unit</i>
1	COMPRESSOR (1/3HP 115-127V/60HZ R-290)	NUY90NRB	1
2	EXTERNAL PROTECTOR (T0535) & PTC RELAY (2014 180)	EL-2195-R	1
3	START CAPACITOR (150 $\mu$ F 160V)	CAP-150-160	1
4	RUN CAPACITOR (10 $\mu$ F 250V)	CAP-10-250	1
5	CONDENSER	CO-426-L	1
6	CONDENSER FAN MOTOR	FA-124-SW-0396	1
7	CONDENSER FAN MOTOR BLADE	FA-17-EBM	1
8	CONDENSER FAN MOTOR BRACKET	FA-39	1
9	CONDENSATE PAN	DP-7	1
10	DRIER	DR-31-2	1
11	POWER CORD (9 ft)	EL-1260-9	1

# DOOR ASSEMBLY



# DOOR ASSEMBLY

---

<i>Item No.</i>	<i>Description</i>	<i>Part No.</i>	<i>Quantity per unit</i>
1	RIGHT DOOR (Includes items 3, 4, 5, and 6)	PTA-0393-R	1
2	LEFT DOOR (Includes items 3, 4, 5, and 6)	PTA-0393-L	1
3	MAGNETIC GASKET	GA-500-PTA-0393	2
4	LOWER HINGE ASSEMBLY	HA-613	2
5	TORSION MECHANISM	HA-612	2
6	TORSION MECHANISM CAP	22263	2